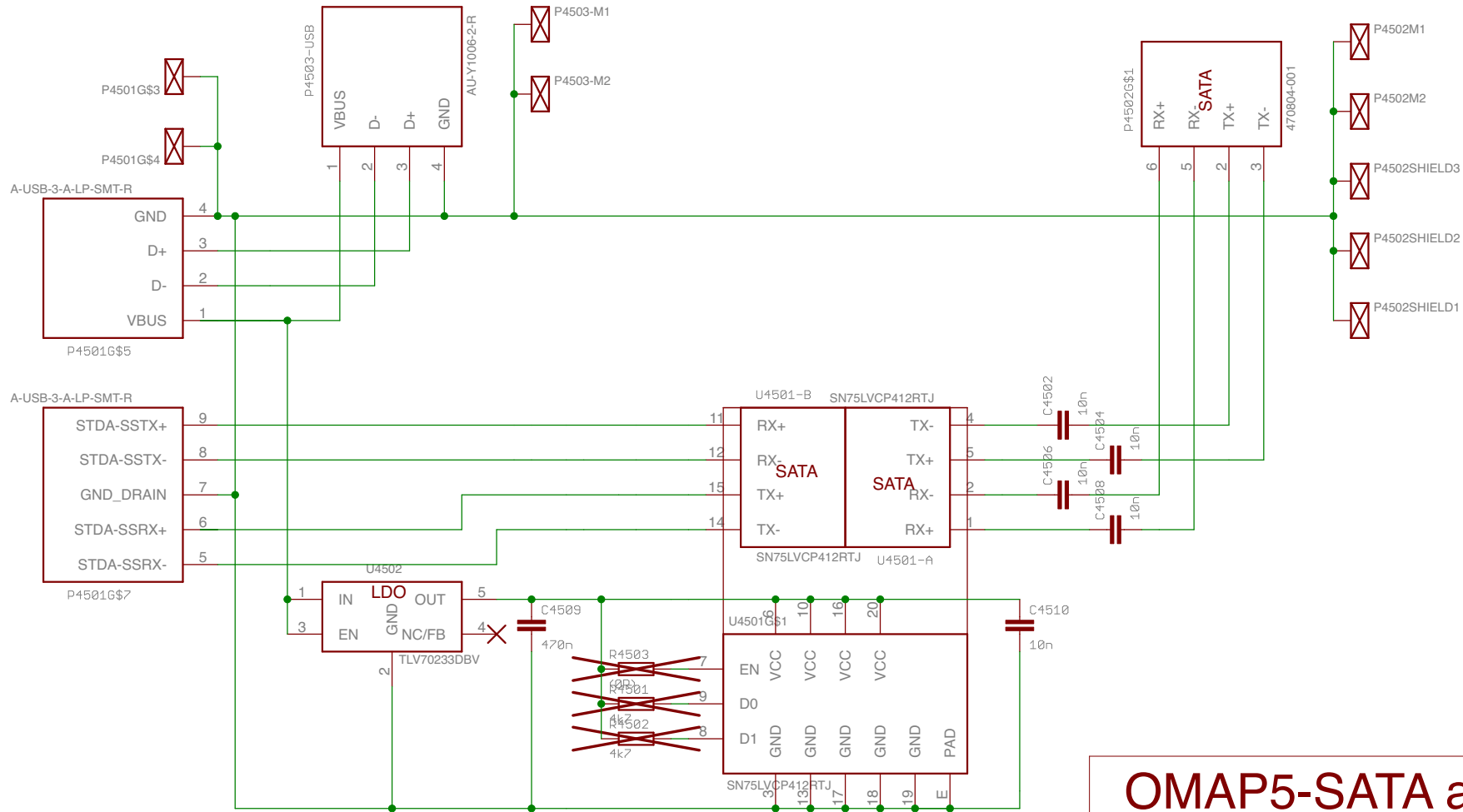


THIS IS NOT AN USB-2-eSATA data and protocol converter
 We just connect the OMAP5 eSATA interface to the pins of the USB3 connector
 and this adapter converts it to the correct connector.
 In other words: there are no USB3 compatible signals on the USB3 connector. But it works for USB2.



OMAP5-SATA adapter

TITLE: DragonFly

Document Number:

REV:

Date: nicht gespeichert!

Sheet: 46/51