

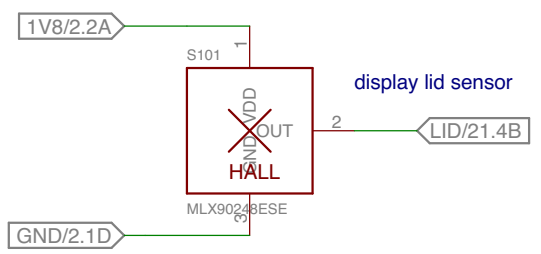
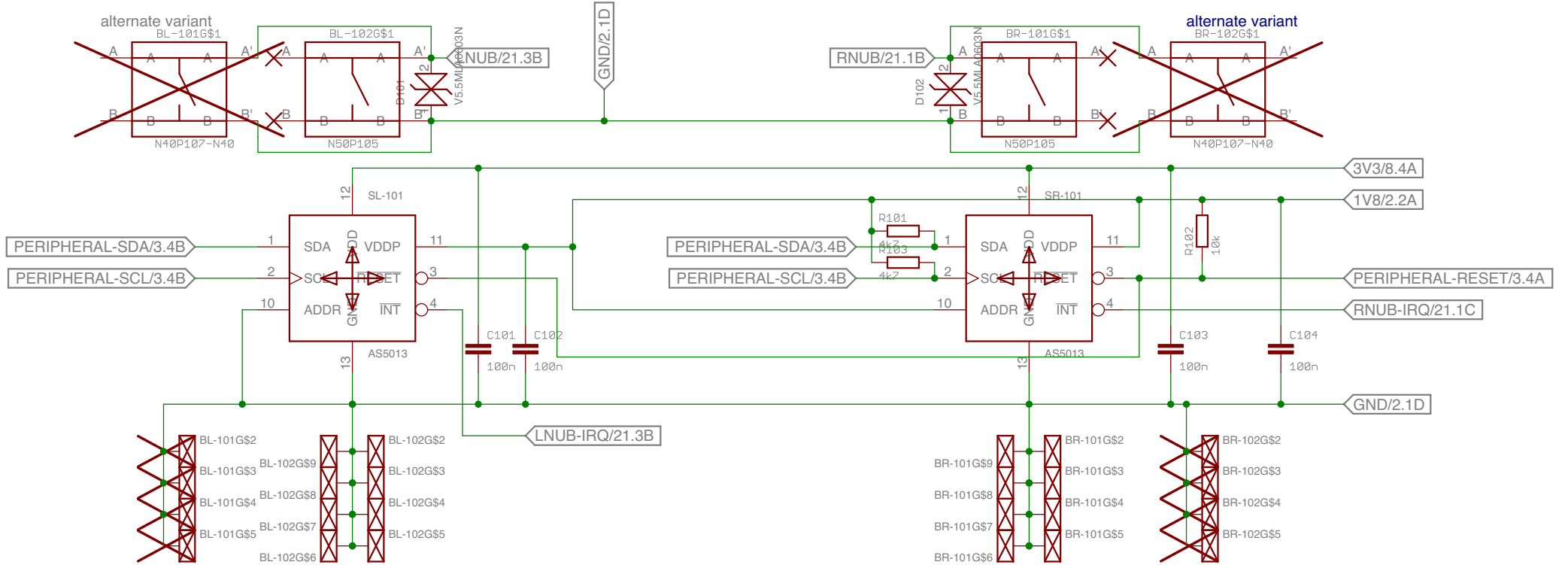
N101
DragonFly-Main-V5.1

N102
PYRA-CASE

LEFT Nub

~~NL-101
NUB-FIN-N50~~

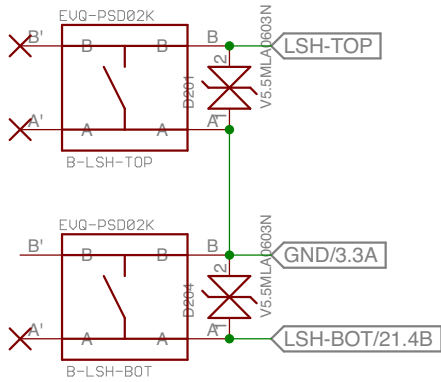
~~NR-101
NUB-FIN-N50~~



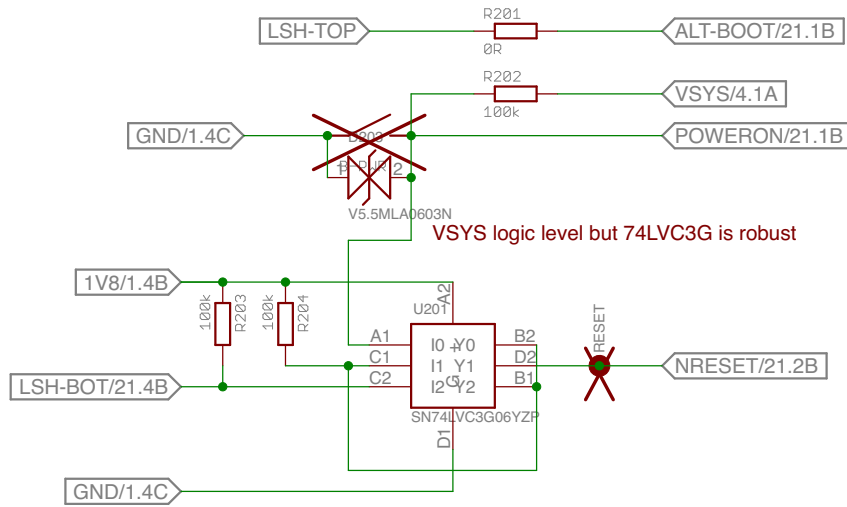
Nubs

TITLE: DragonFly	
Document Number:	REV:
Date: nicht gespeichert!	Sheet: 1/51

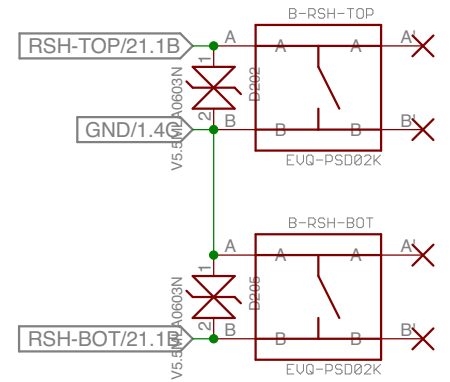
shoulder buttons



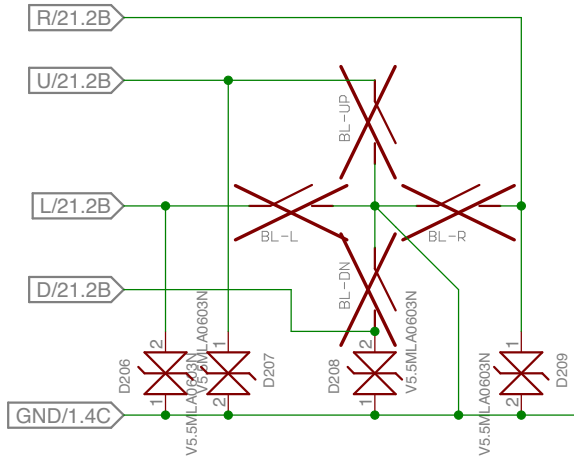
Reset and Power-On



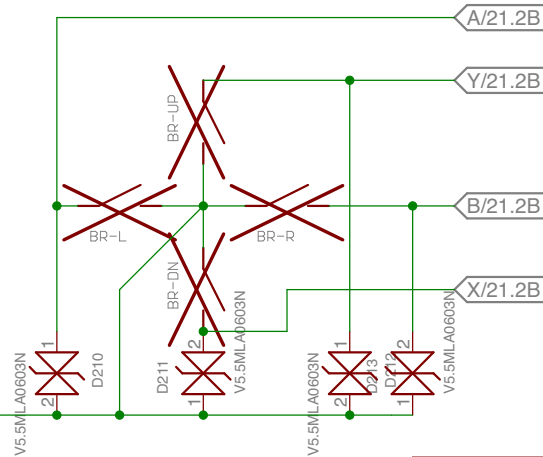
simultaneously press left-bottom shoulder button and power-on button to reset/reboot the CPU



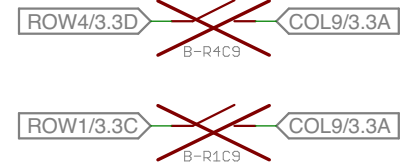
UDLR



ABXY



MN



Buttons

TITLE: DragonFly

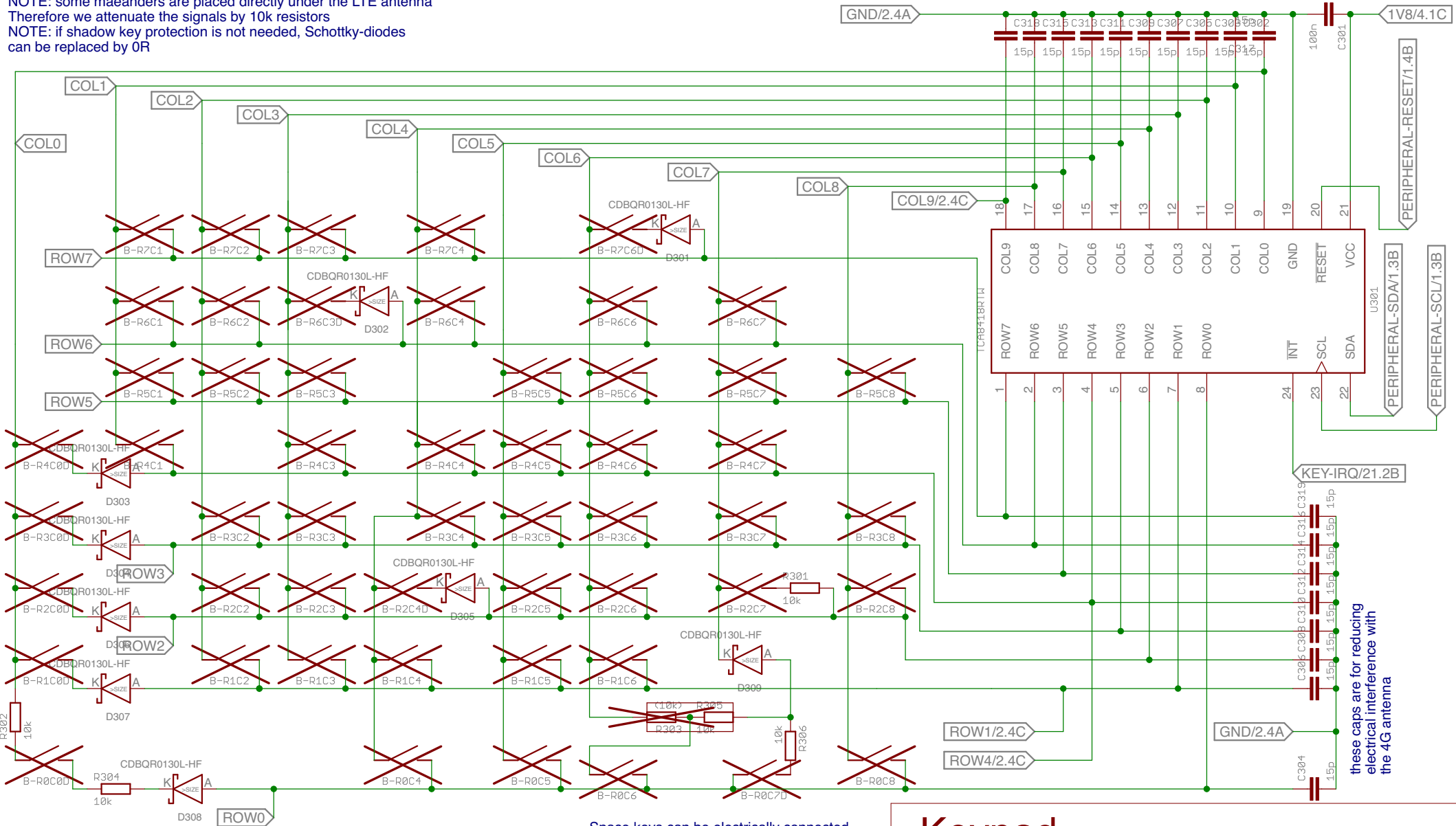
Document Number:

REV:

Date: nicht gespeichert!

Sheet: 2/51

NOTE: some meanders are placed directly under the LTE antenna
 Therefore we attenuate the signals by 10k resistors
 NOTE: if shadow key protection is not needed, Schottky-diodes
 can be replaced by 0R



Space keys can be electrically connected

N301
PYRA-KEYMAT

Keypad

TITLE: DragonFly

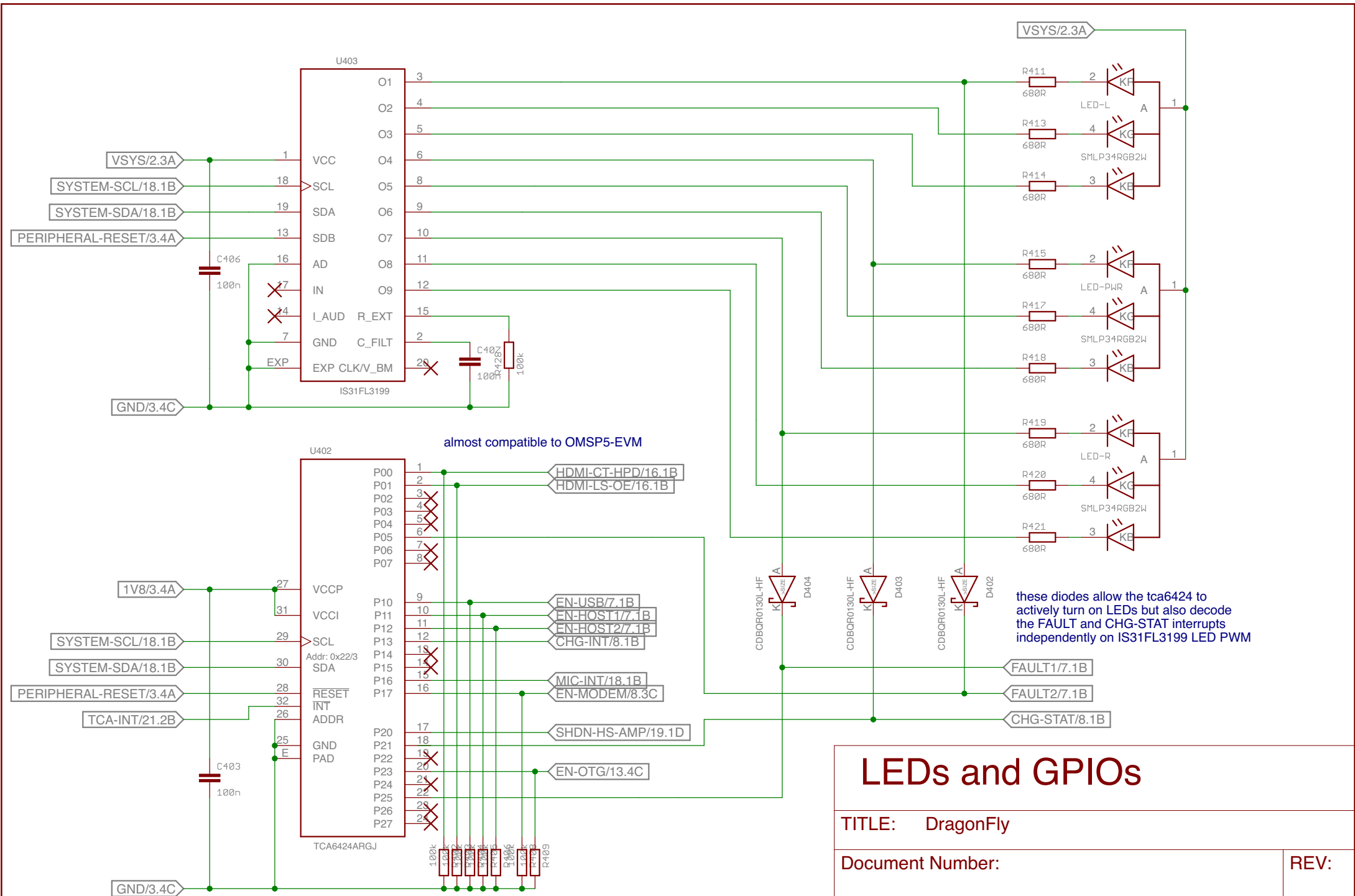
Document Number:

REV:

Date: nicht gespeichert!

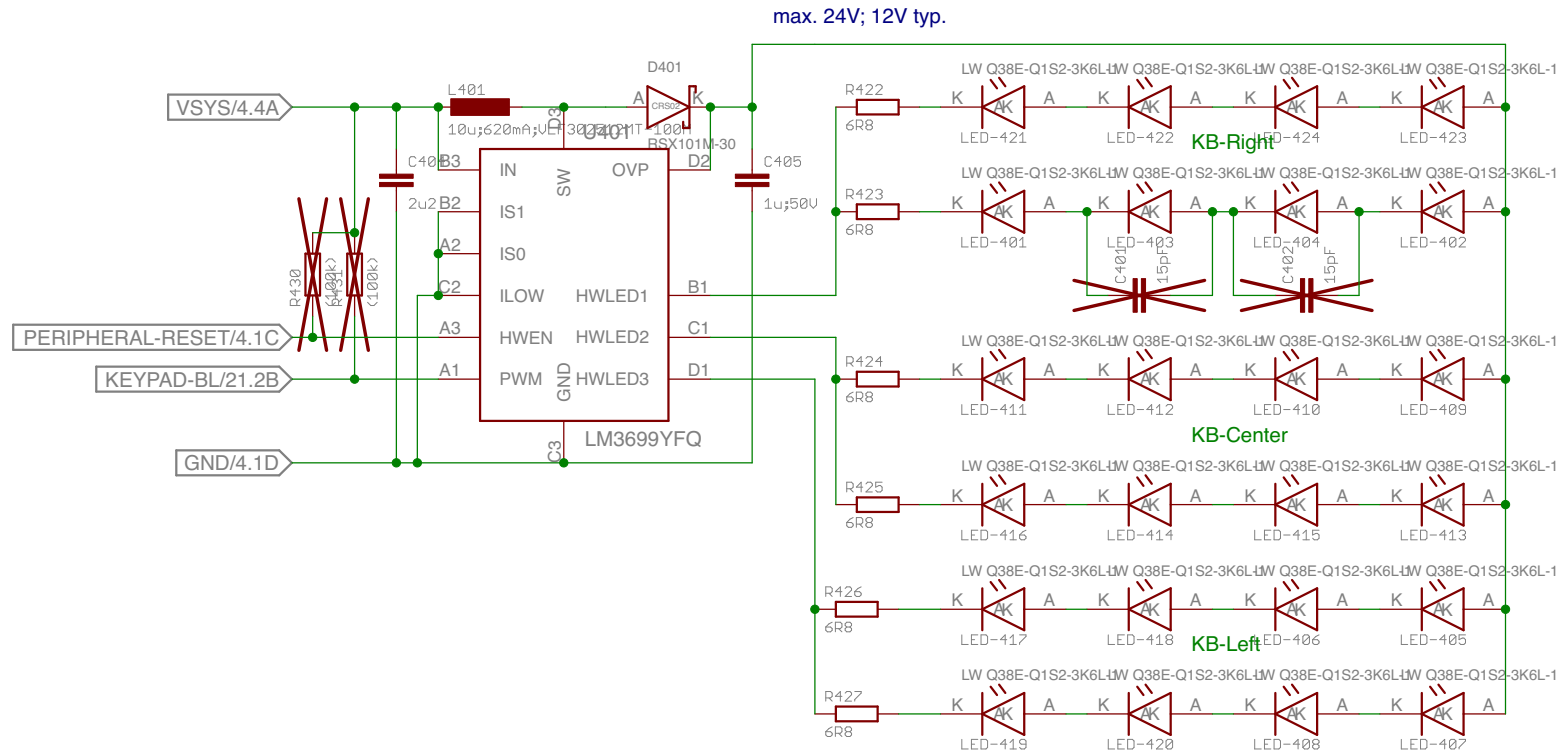
Sheet: 3/51

these caps are for reducing
electrical interference with
the 4G antenna



LEDs and GPIOs

TITLE: DragonFly	
Document Number:	REV:
Date: nicht gespeichert!	Sheet: 4/51



Keyboard Backlight

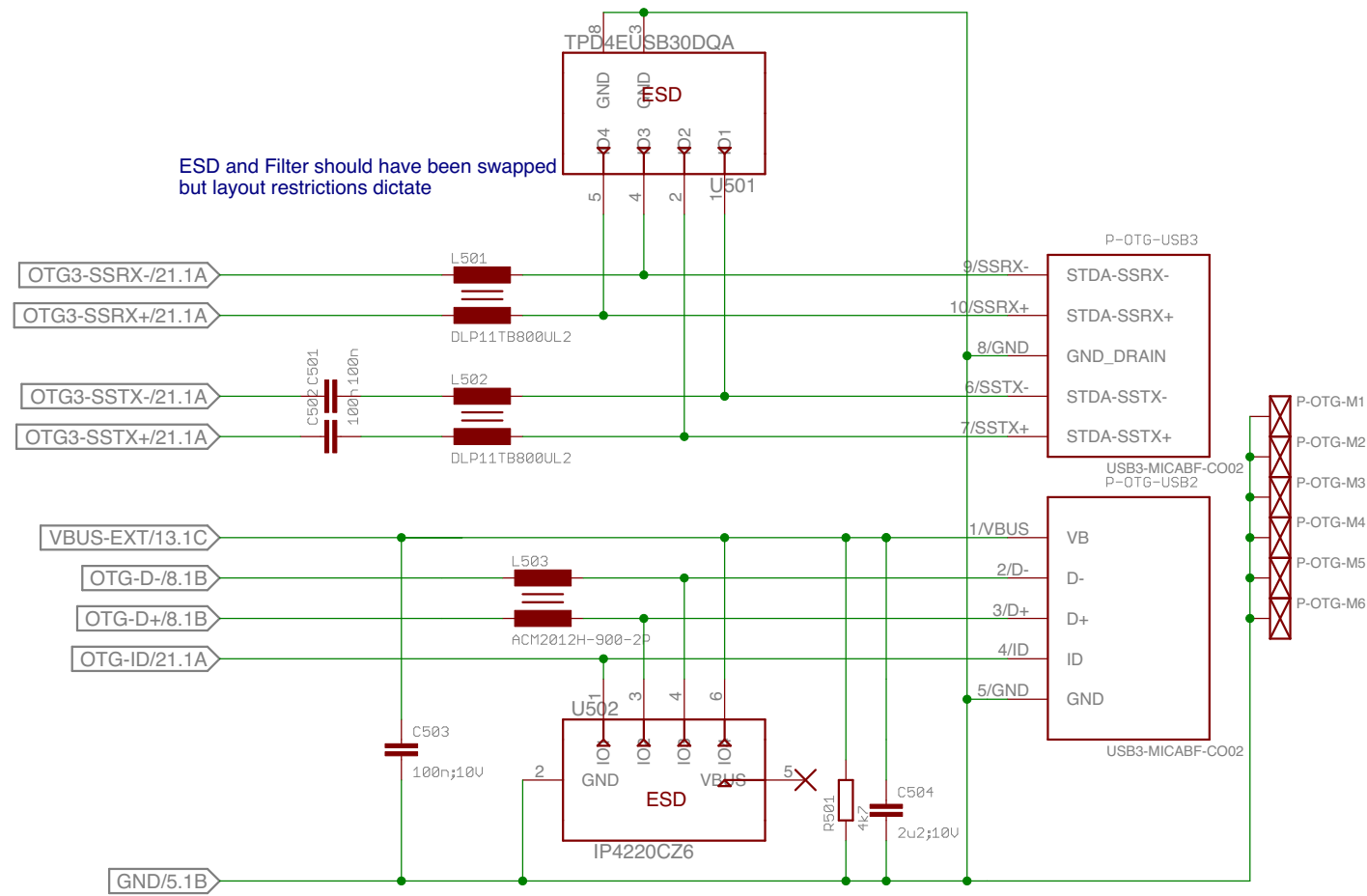
TITLE: DragonFly

Document Number:

REV:

Date: nicht gespeichert!

Sheet: 5/51



USB-3.0 OTG

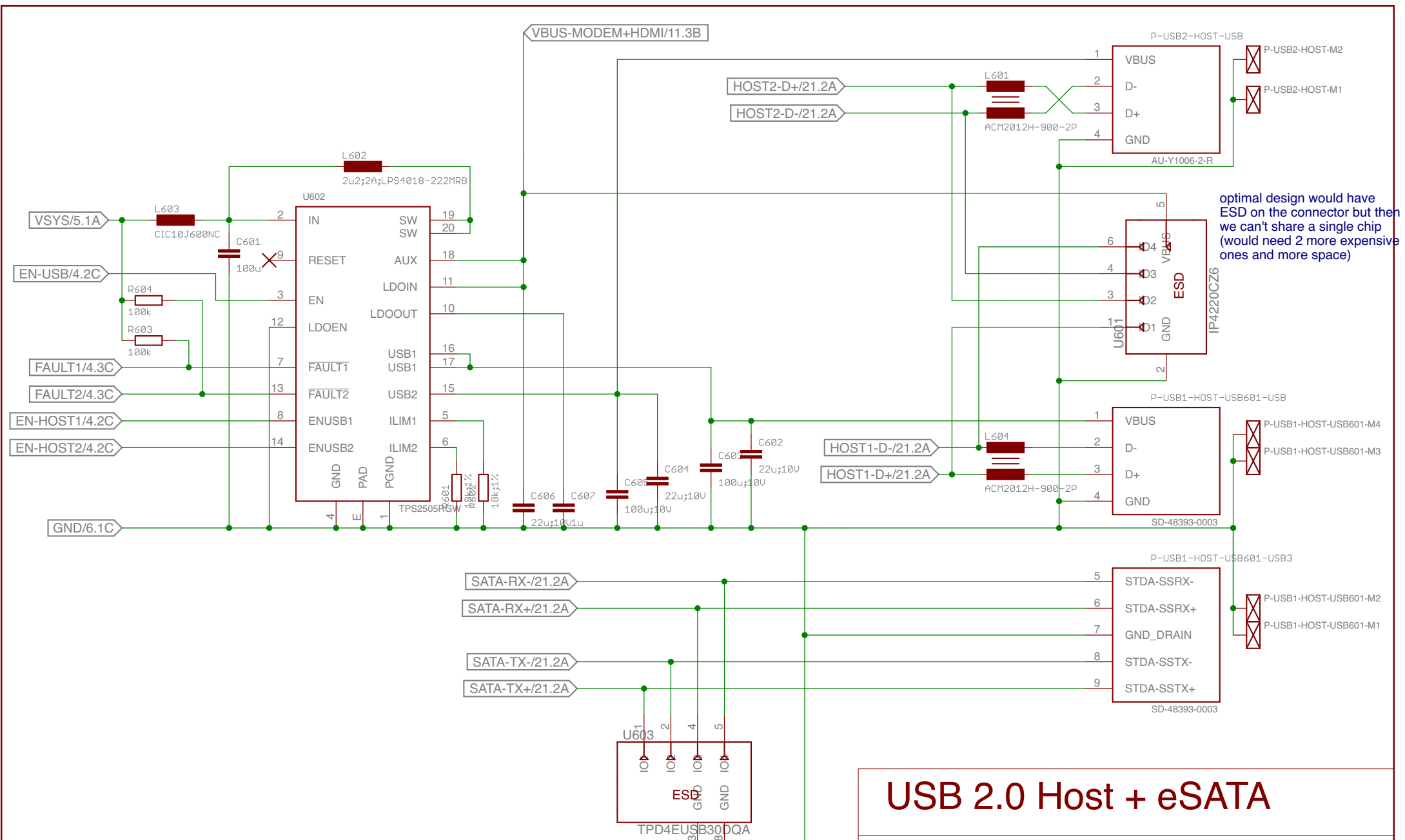
TITLE: DragonFly

Document Number:

REV:

Date: nicht gespeichert!

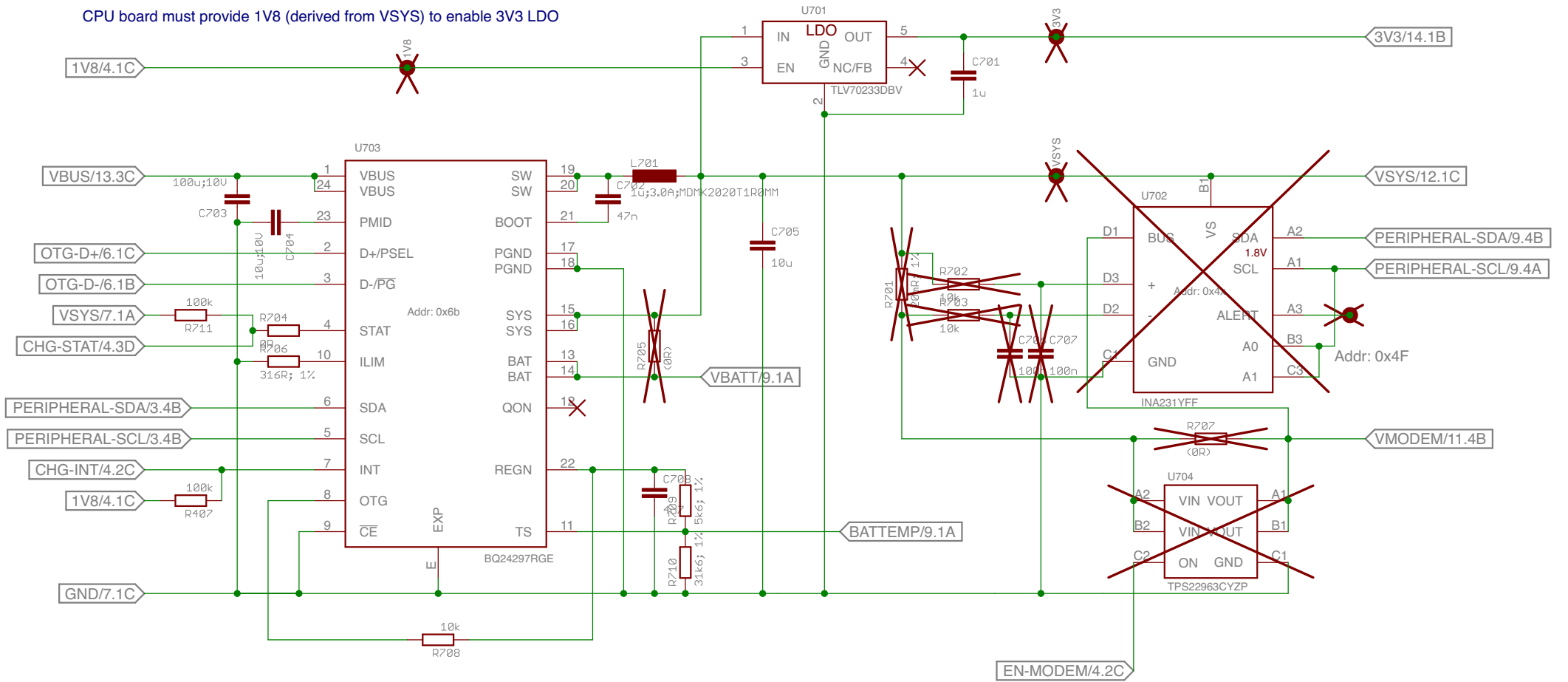
Sheet: 6/51



USB 2.0 Host + eSATA

TITLE: DragonFly	
Document Number:	REV:
Date: nicht gespeichert!	Sheet: 7/51

CPU board must provide 1V8 (derived from VSYS) to enable 3V3 LDO



Charger/OTG/Power

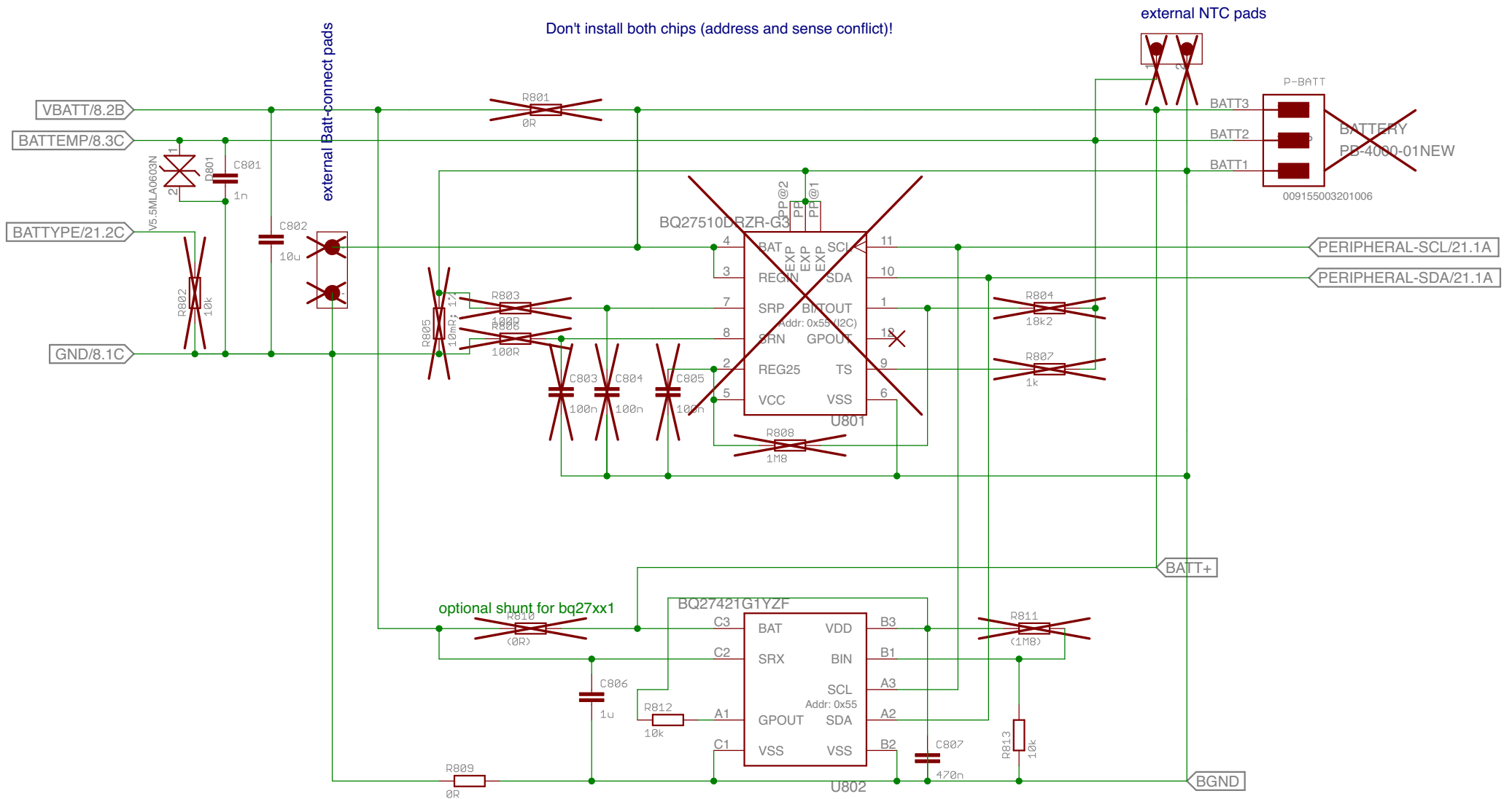
TITLE: DragonFly

Document Number:

REV:

Date: nicht gespeichert!

Sheet: 8/51



Battery Fuel Gauge

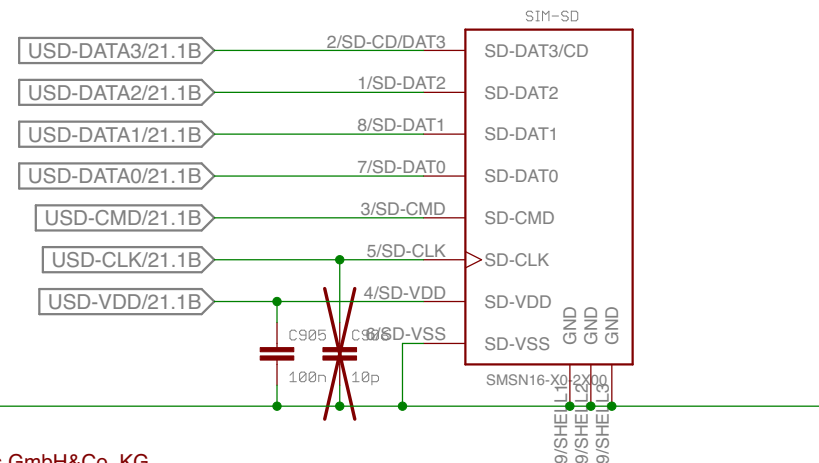
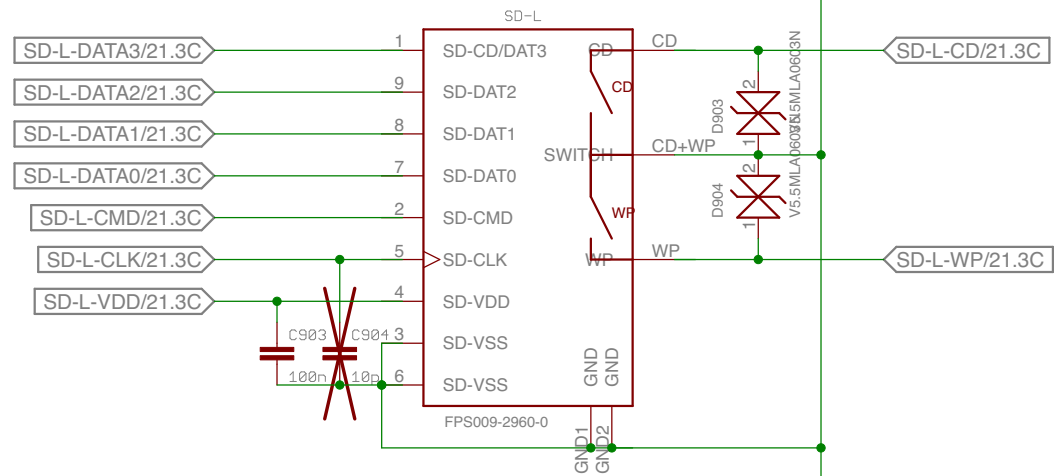
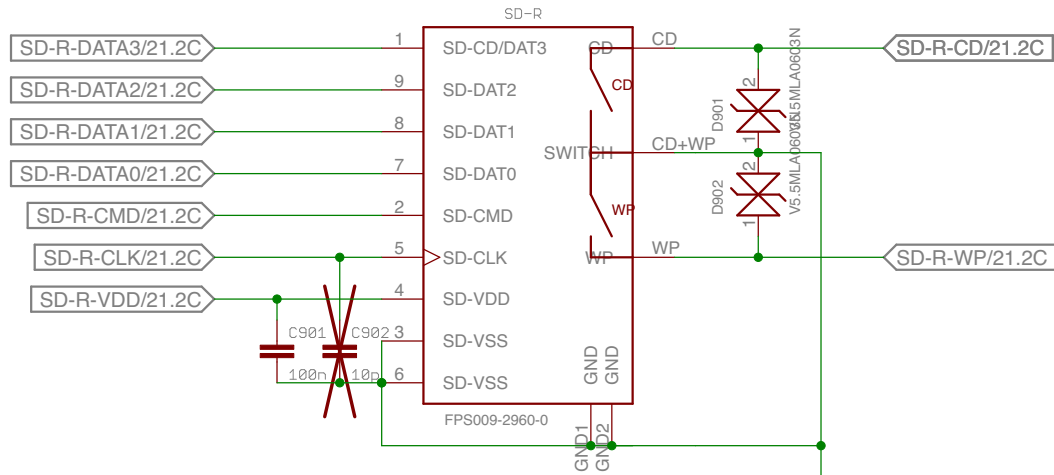
TITLE: DragonFly

Document Number:

REV:

Date: nicht gespeichert!

Sheet: 9/51



GND/9.1B

SD-Slots

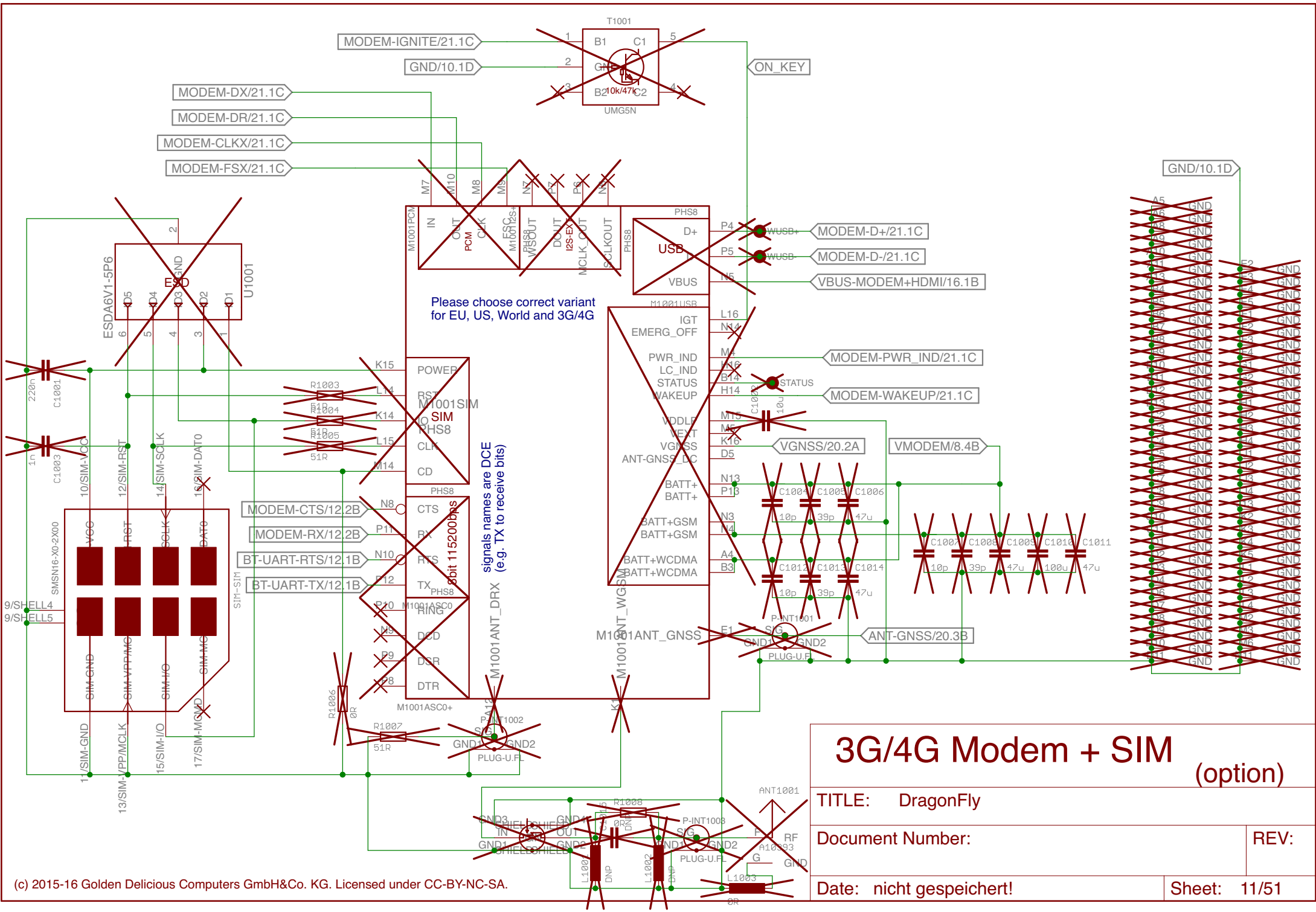
TITLE: DragonFly

Document Number:

REV:

Date: nicht gespeichert!

Sheet: 10/51



3G/4G Modem + SIM (option)

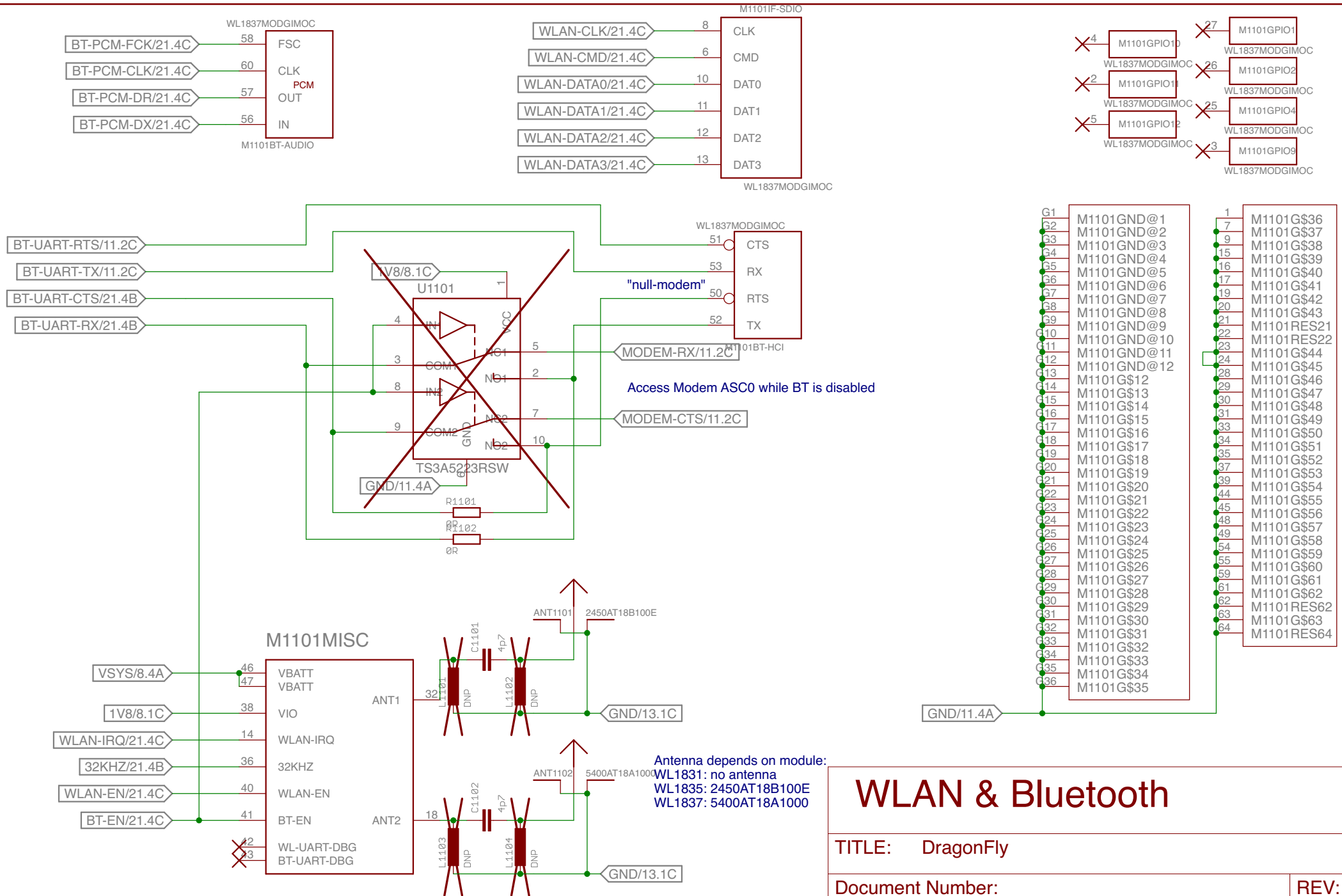
TITLE: DragonFly

Document Number:

REV:

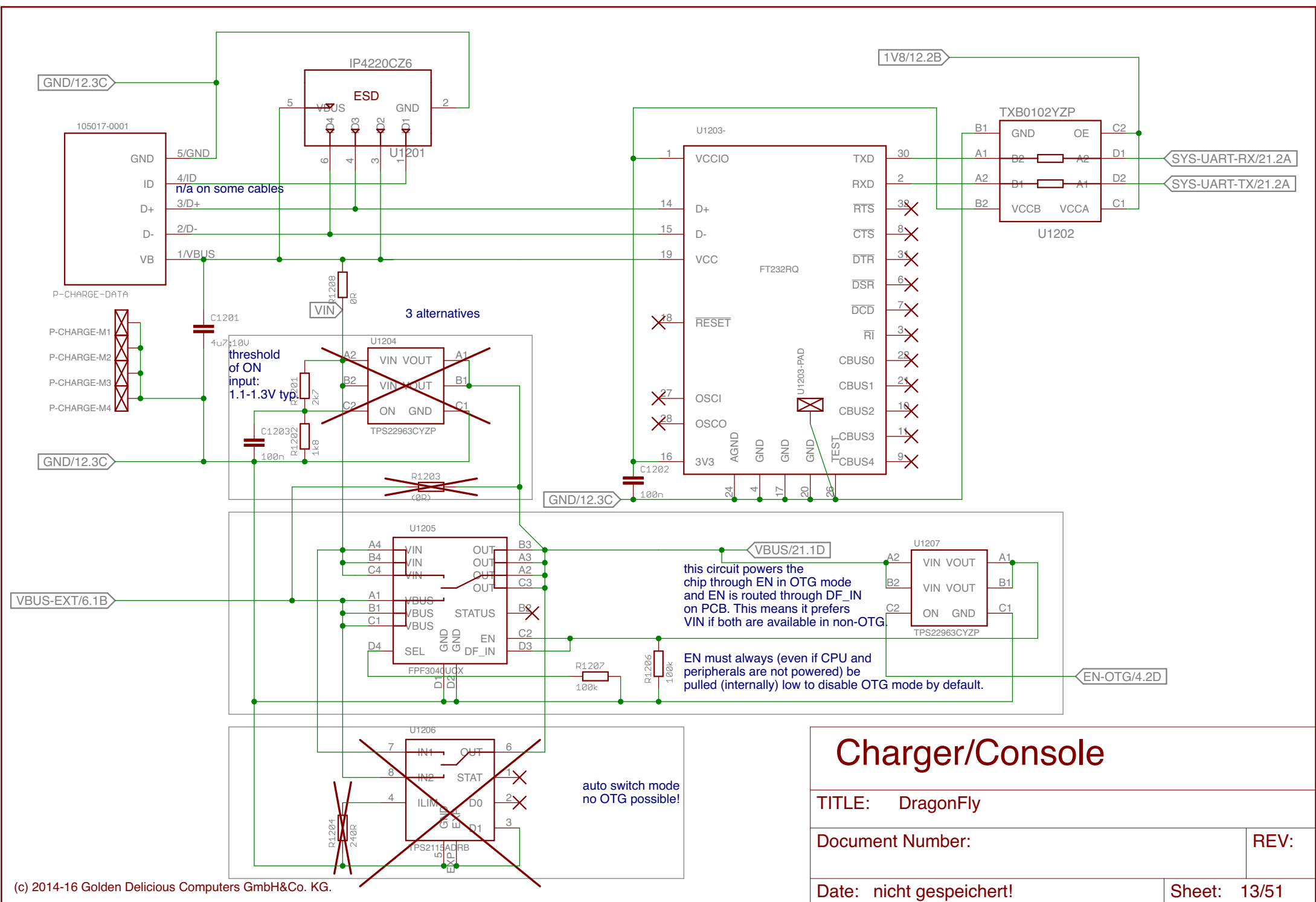
Date: nicht gespeichert!

Sheet: 11/51



WLAN & Bluetooth

TITLE: DragonFly	
Document Number:	REV: V2b
Date: nicht gespeichert!	Sheet: 12/51



Charger/Console

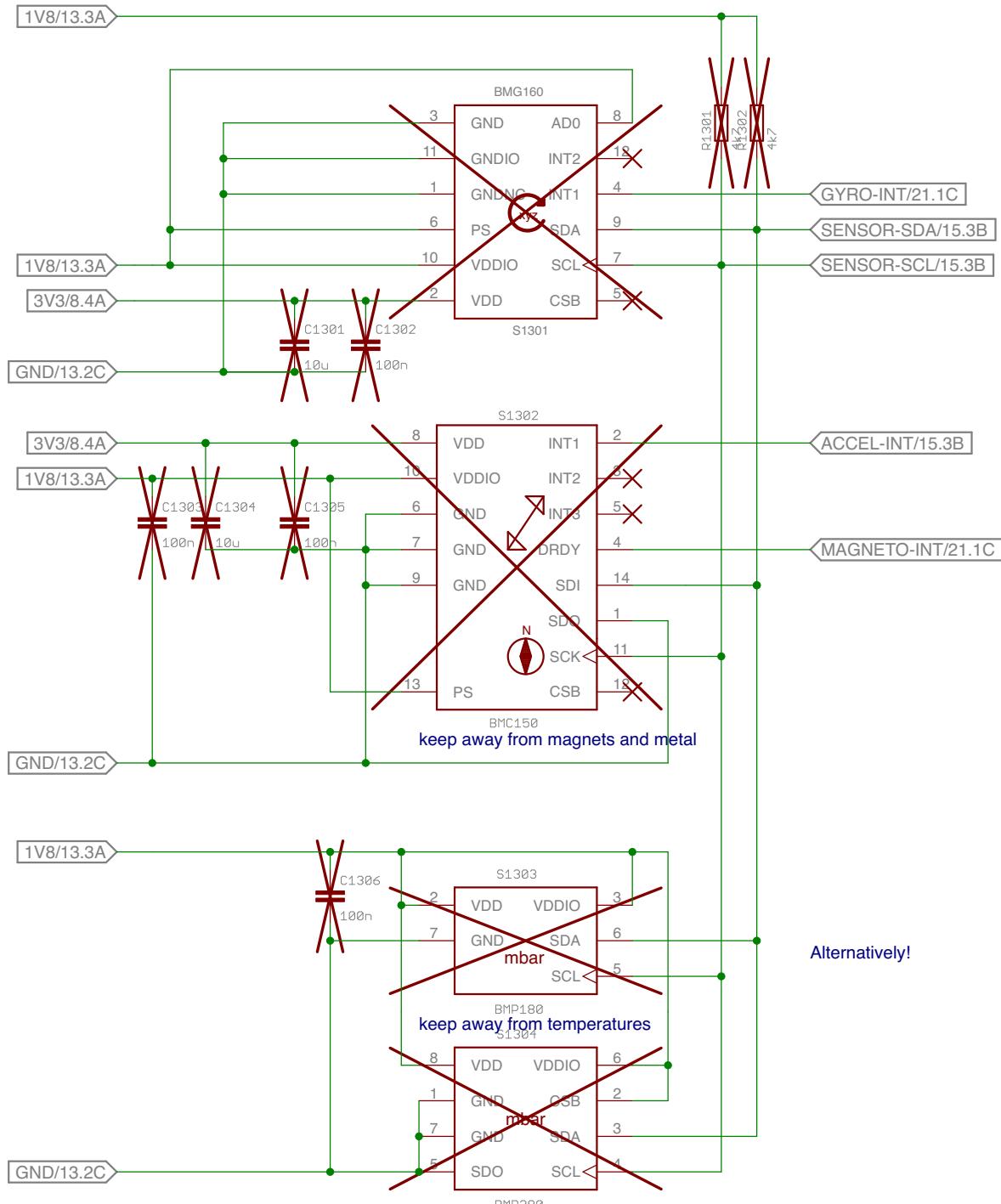
TITLE: DragonFly

Document Number:

REV:

Date: nicht gespeichert!

Sheet: 13/51



Sensors

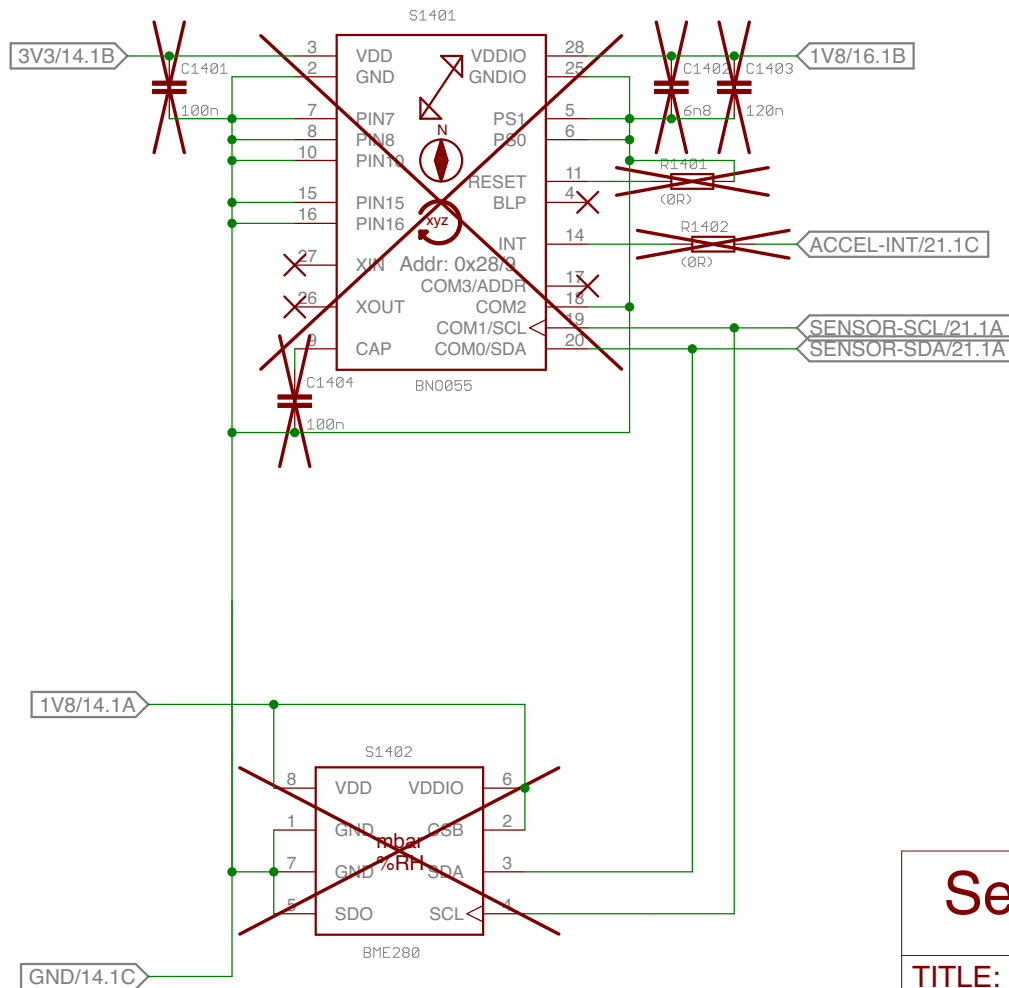
TITLE: DragonFly

Document Number:

REV:

Date: nicht gespeichert!

Sheet: 14/51



Sensors (integrated)

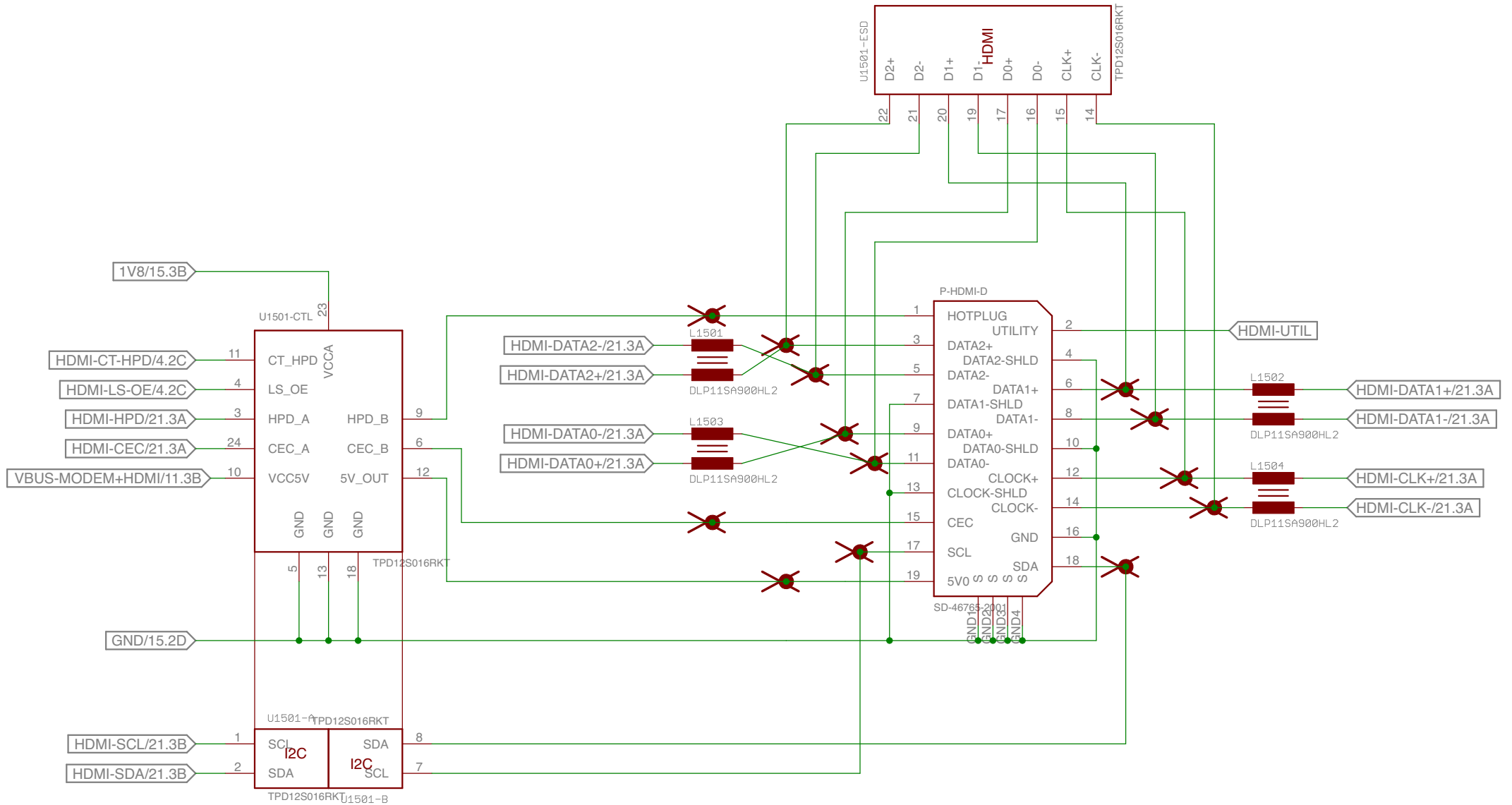
TITLE: DragonFly

Document Number:

REV:

Date: nicht gespeichert!

Sheet: 15/51



HDMI

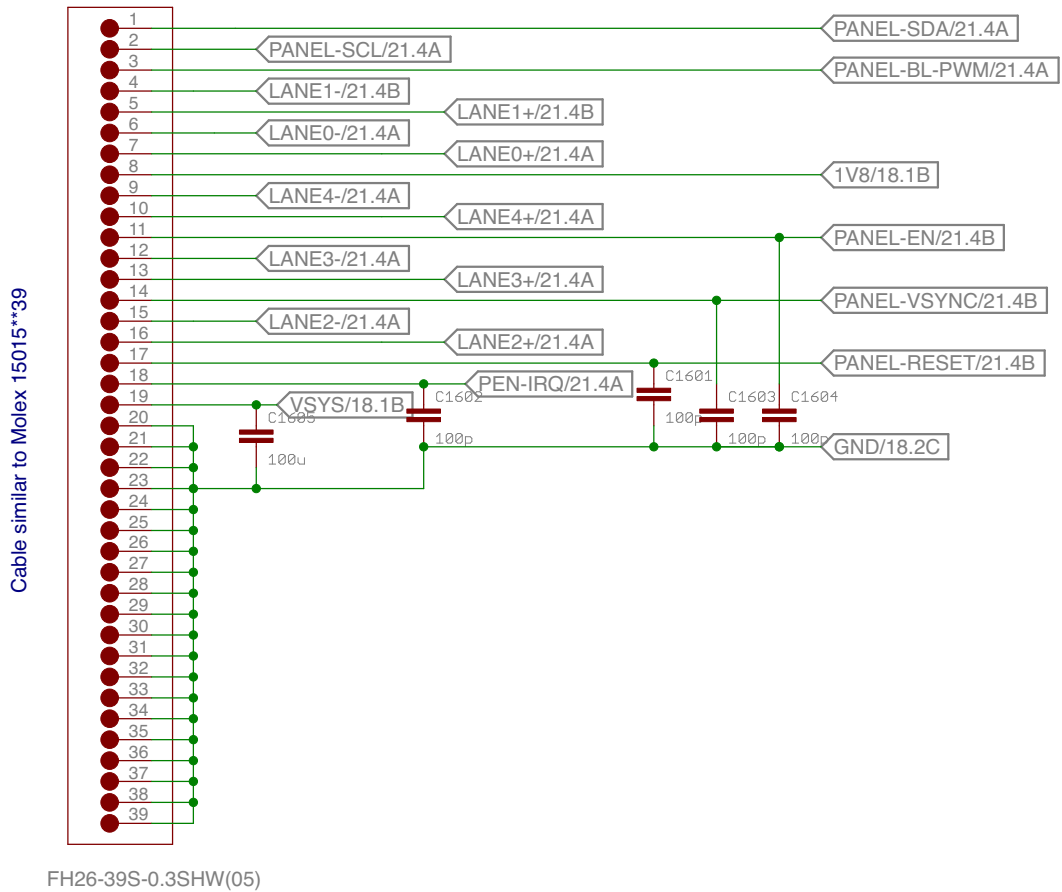
TITLE: DragonFly

Document Number:

REV:

Date: nicht gespeichert!

Sheet: 16/51



Panel variant detect is done by checking if PANEL-EN or PANEL-RESET have 18k Pullups or Pulldowns installed or are floating on connected panel board.

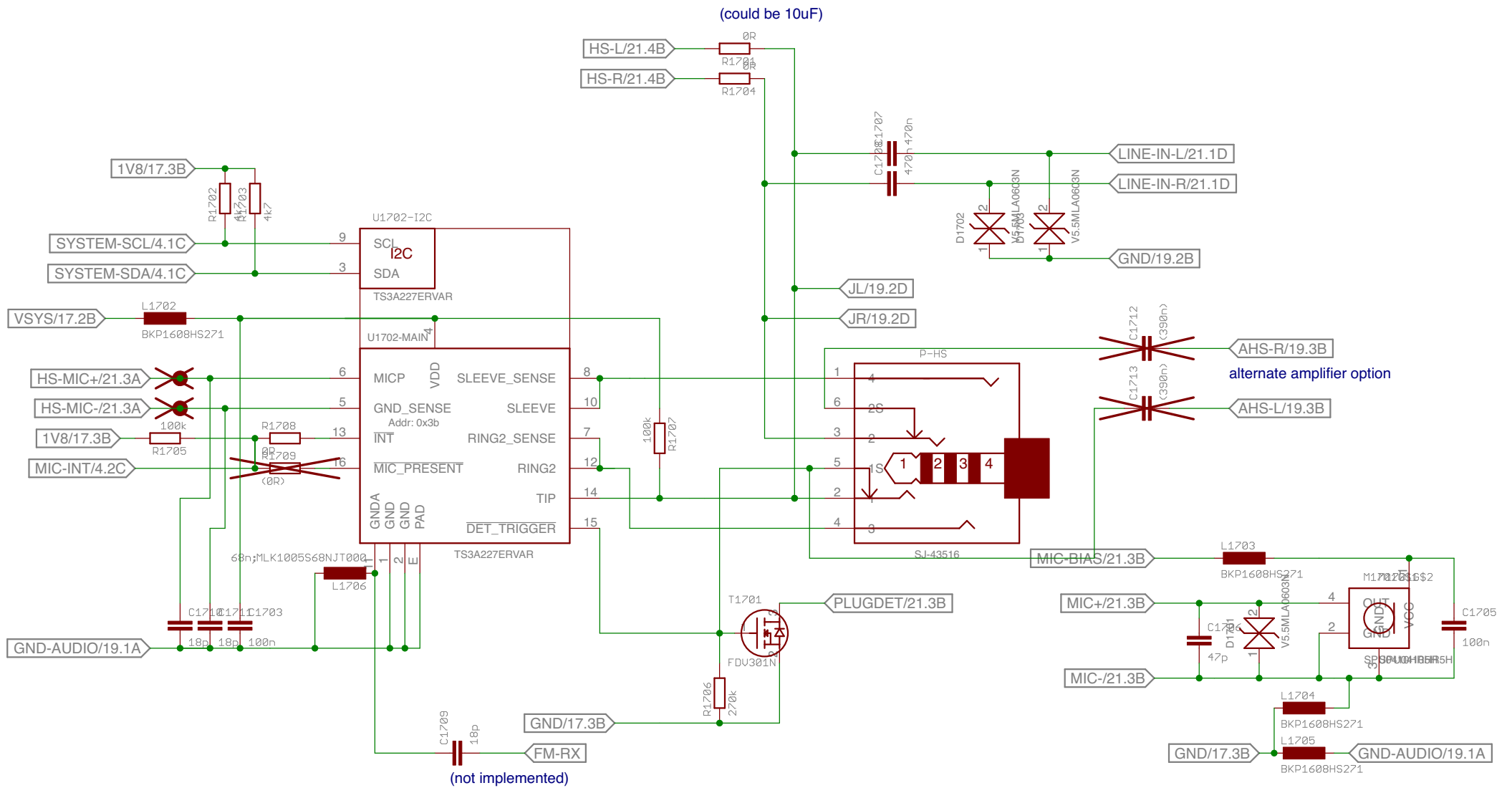
Panels:
 EN=f R=f: no or 4.x panels (no distinction)
 EN=PU R=PD: BOE+SSD
 EN=PU R=PU: BOE w/o SSD
 EN=PD R=PD: Full-HD
 ...

Display Connector

TITLE: DragonFly

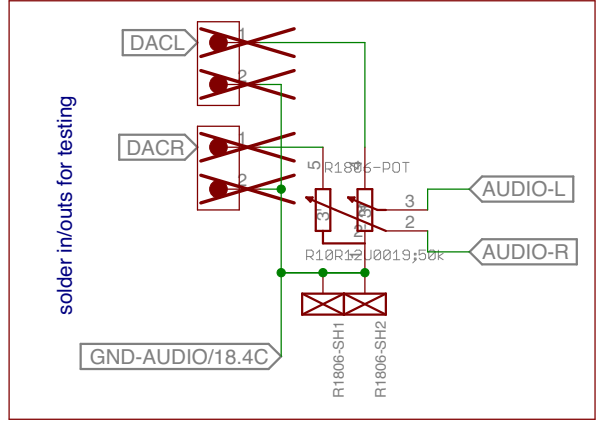
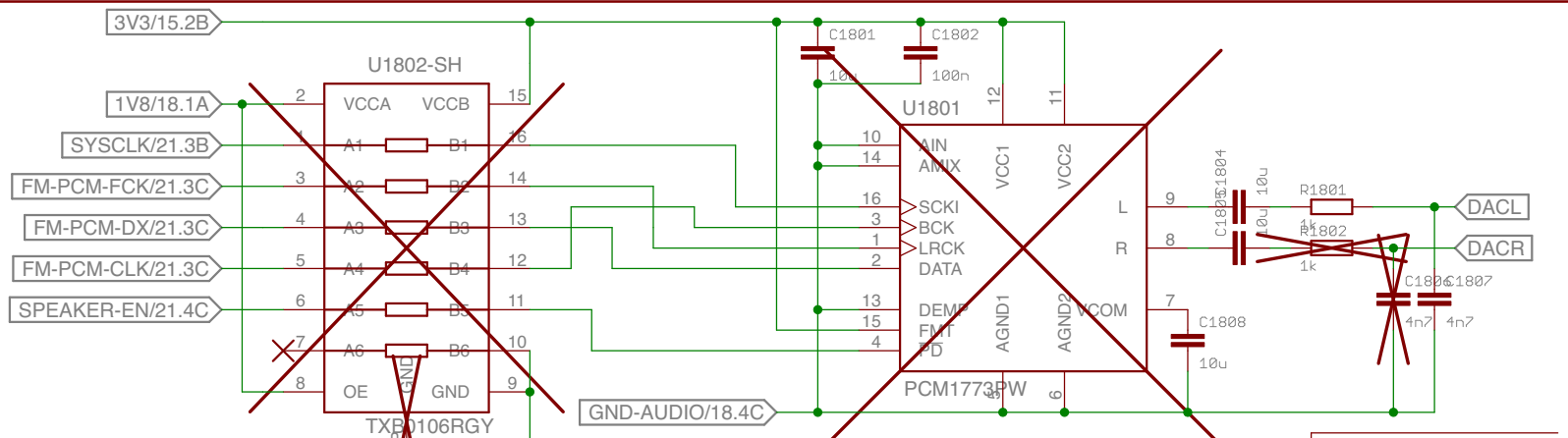
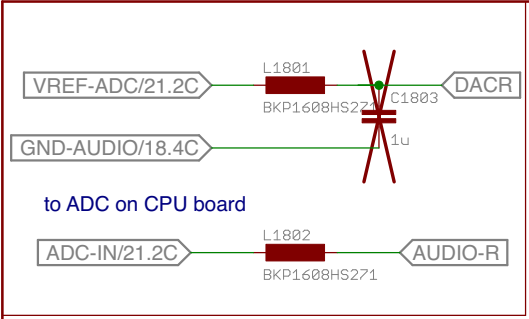
Document Number: REV:

Date: nicht gespeichert! Sheet: 17/51

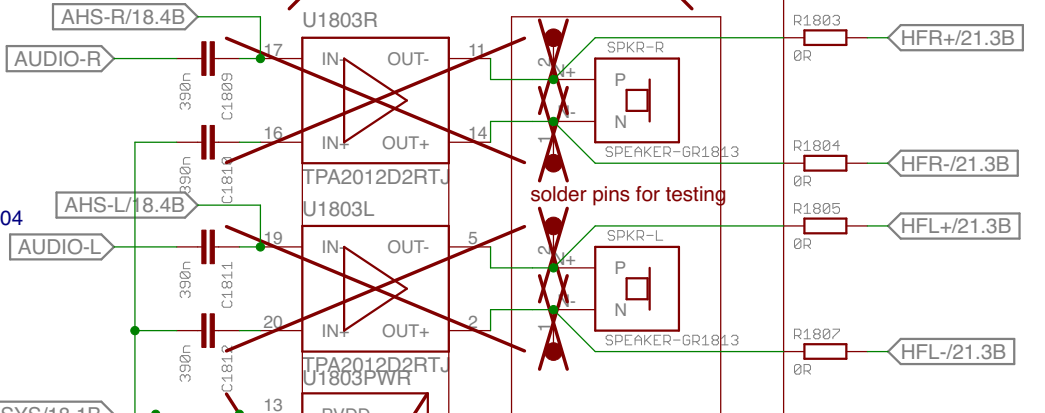


Audio Headset

TITLE: DragonFly	
Document Number:	REV:
Date: nicht gespeichert!	Sheet: 18/51

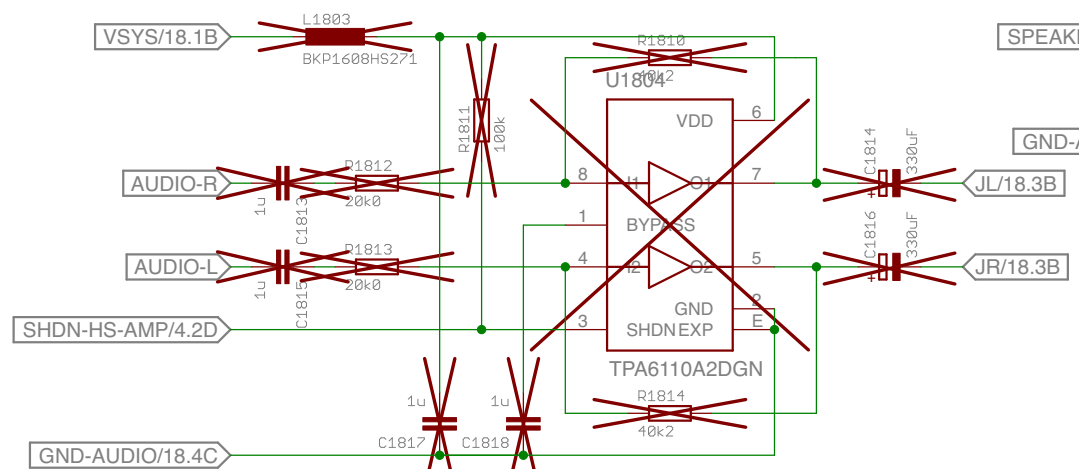


- twl6040 mode:
 + L1801, L1802
 + C1803
 - R1801, R1802
 - C1806, C1807
 + R1803, R1804, R1805, R1807, R1701, R1704
 - C1814, C1815
 - U1803 (if possible - or keep disabled!)
- in twl6040 mode unused:
 - U1801, U1802, U1804
 - C1801, C1802
 - C1809, C1810, C1811, C1812
 - C1813, C1815, C1817, C1818
 - L1803
 - R1808, R1809
 - R1812, R1813, R1811, R1810, R1814



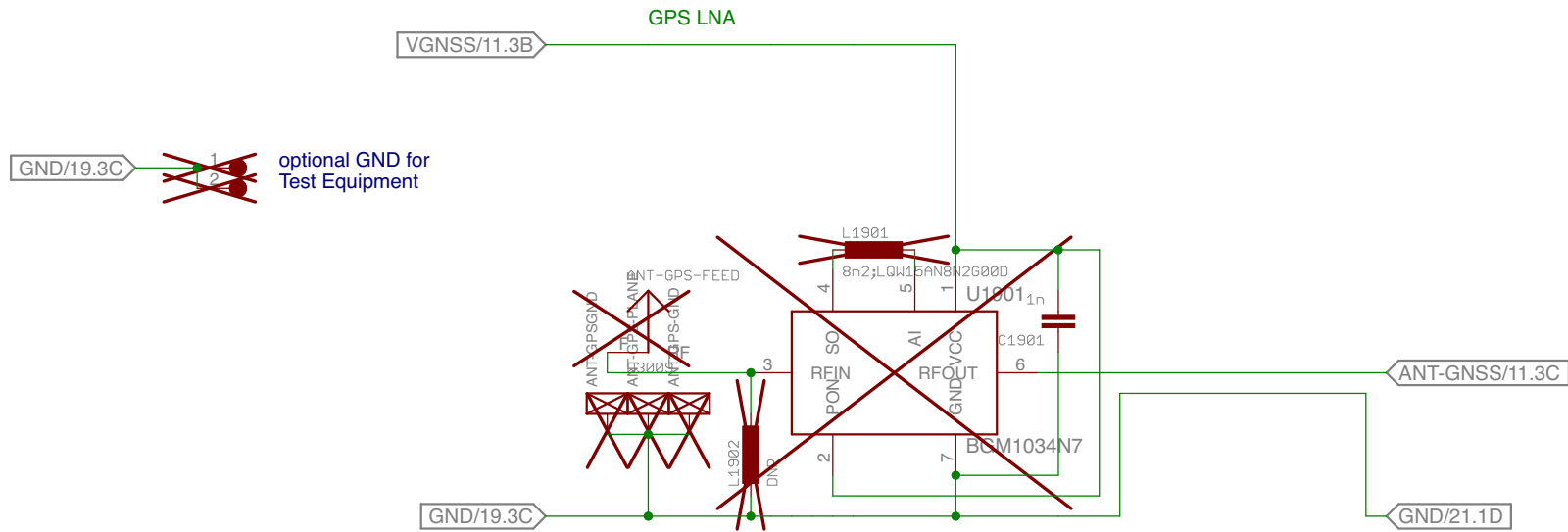
TWL6040-audio option can install L/C if needed

don't install for TWL6040-audio option



Audio Out

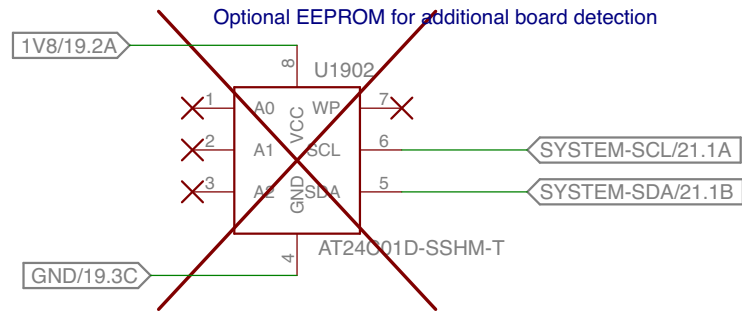
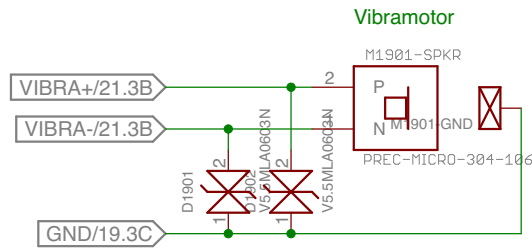
TITLE: DragonFly	
Document Number:	REV:
Date: nicht gespeichert!	Sheet: 19/51



F1901
FIDUCIAL-1.0MM

F1902
FIDUCIAL-1.0MM

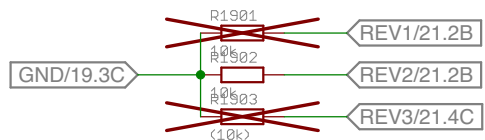
F1903
FIDUCIAL-1.0MM



F1904
FIDUCIAL-1.0MM

F1905
FIDUCIAL-1.0MM

F1906
FIDUCIAL-1.0MM



Change revision code only if change is undetectable by software
first Revision has no resistors installed

Revisions:
none: 4.9 (and earlier)
R1901: 5.0
R1902: 5.1
R1903: 5.2
R1901+2: 5.3
R1901+3: 5.4
R1902+3: 5.5
R1901+2+3: 5.6

Misc

TITLE: DragonFly

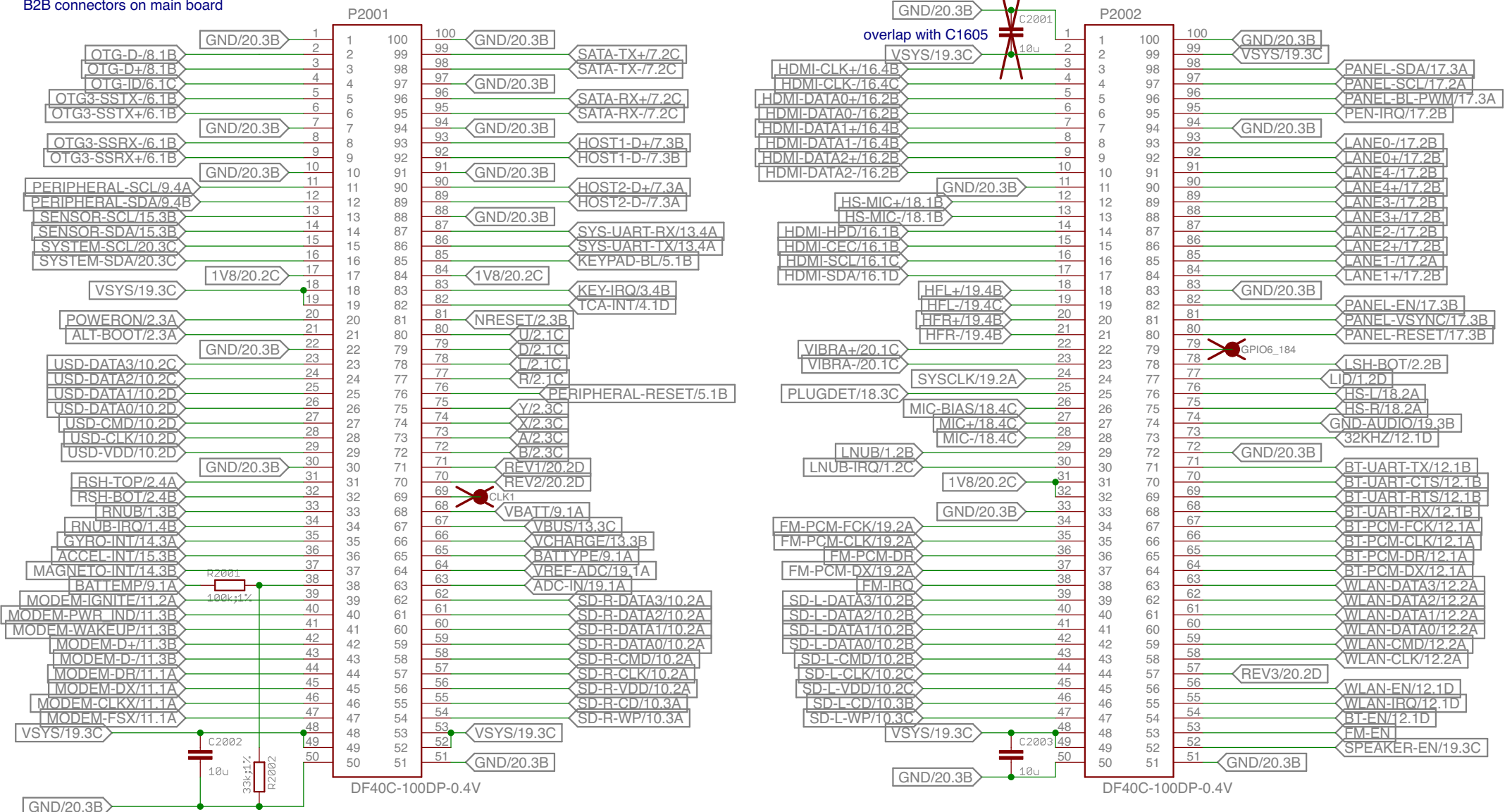
Document Number:

REV:

Date: nicht gespeichert!

Sheet: 20/51

B2B connectors on main board



CPU-Module connector

TITLE: DragonFly	
Document Number:	REV:
Date: nicht gespeichert!	Sheet: 21/51