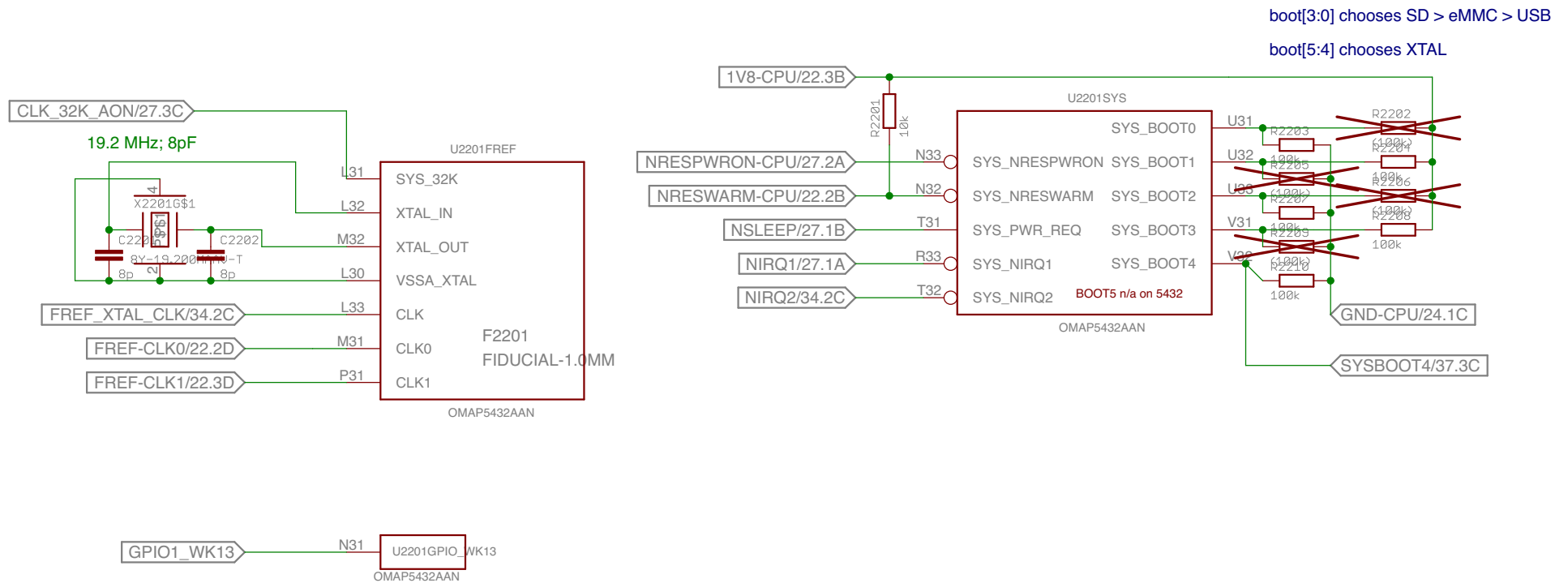


<h1>CPU: B2B</h1>	
TITLE: DragonFly	
Document Number:	REV:
Date: nicht gespeichert!	Sheet: 22/51

~~N3102
MECHANICAL-HOT~~



CPU: Clock&System

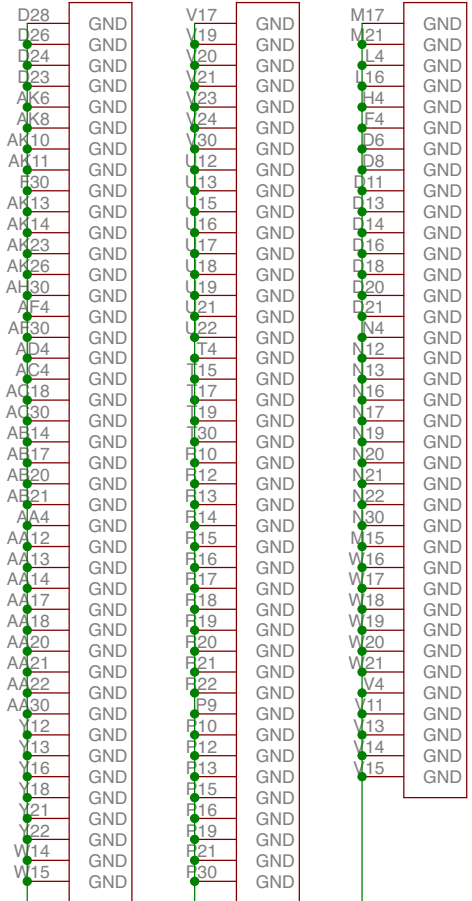
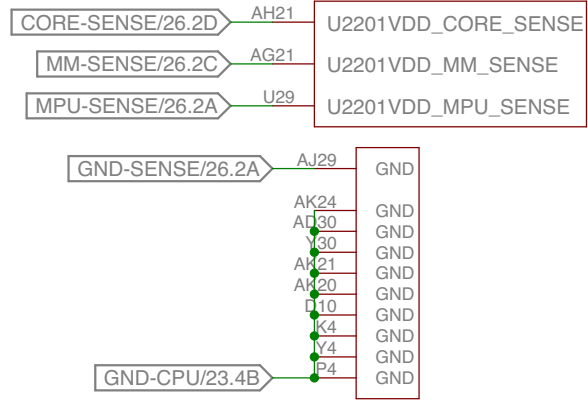
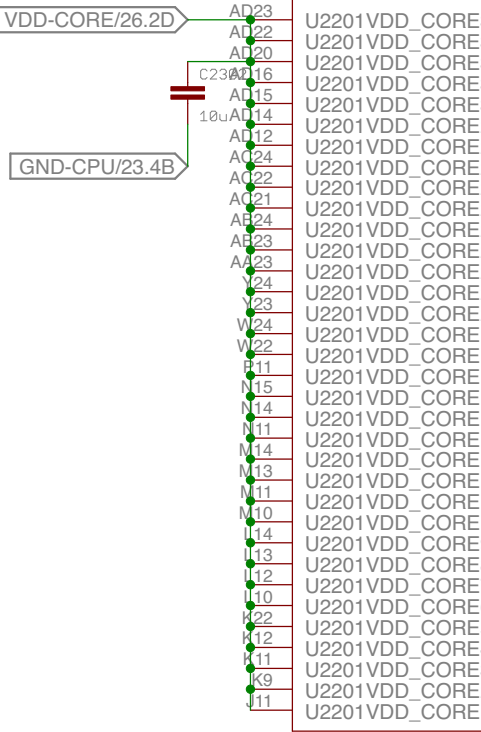
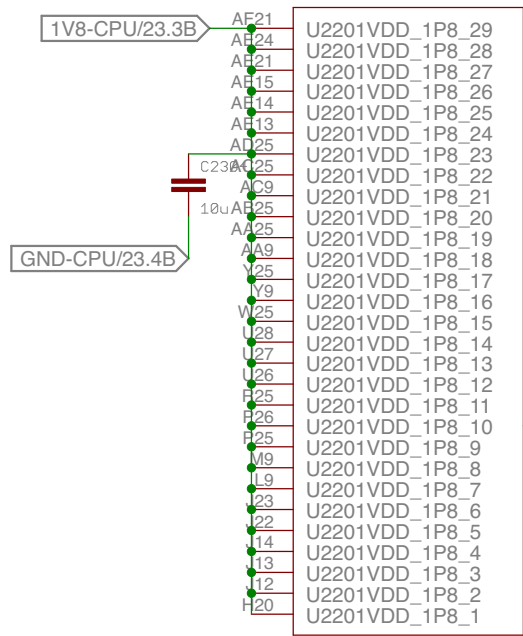
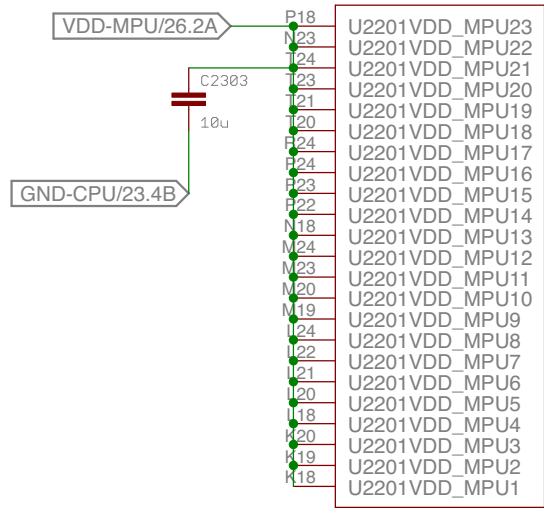
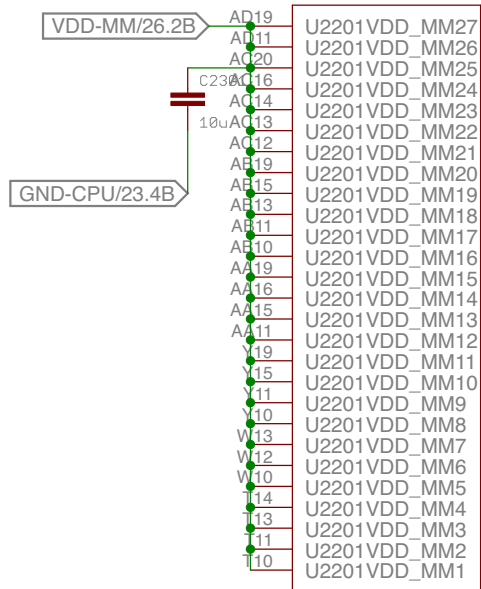
TITLE: DragonFly

Document Number:

REV:

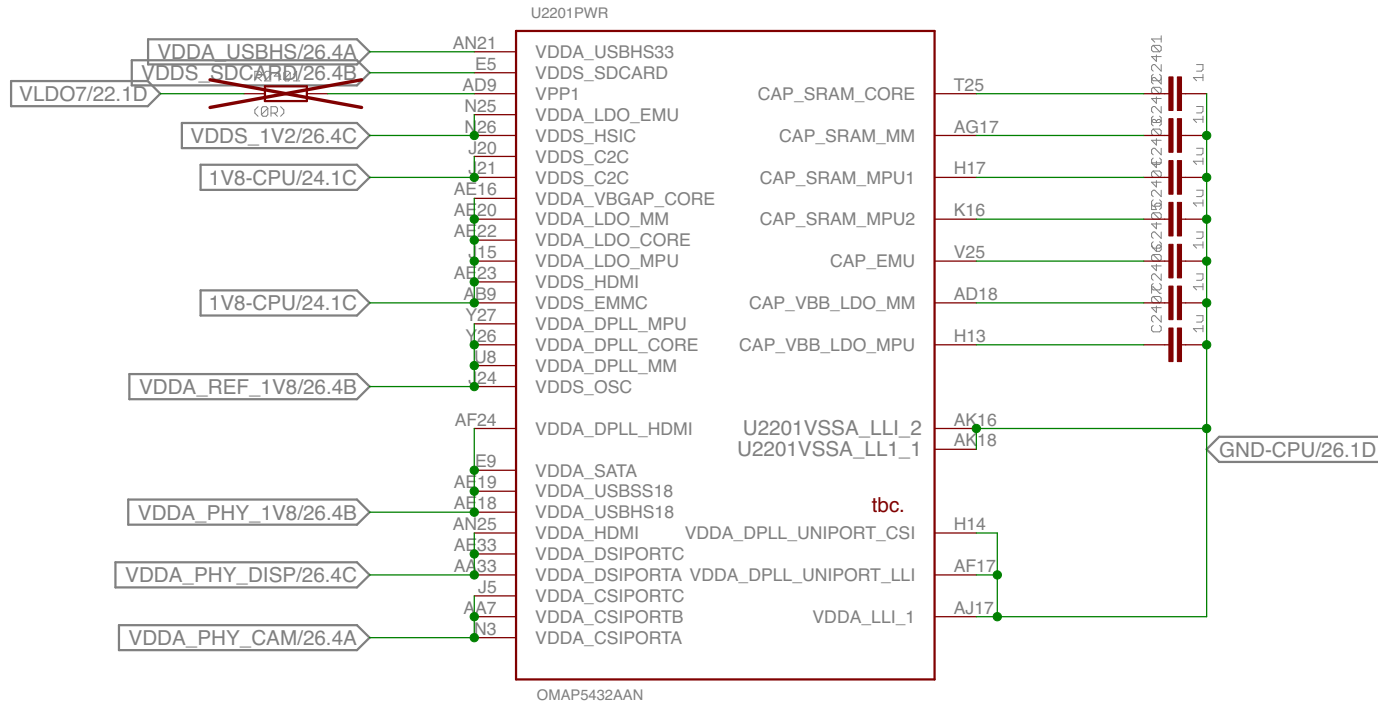
Date: nicht gespeichert!

Sheet: 23/51



CPU: Power Supply

TITLE: DragonFly	
Document Number:	REV:
Date: nicht gespeichert!	Sheet: 24/51



CPU: Misc Power

TITLE: DragonFly

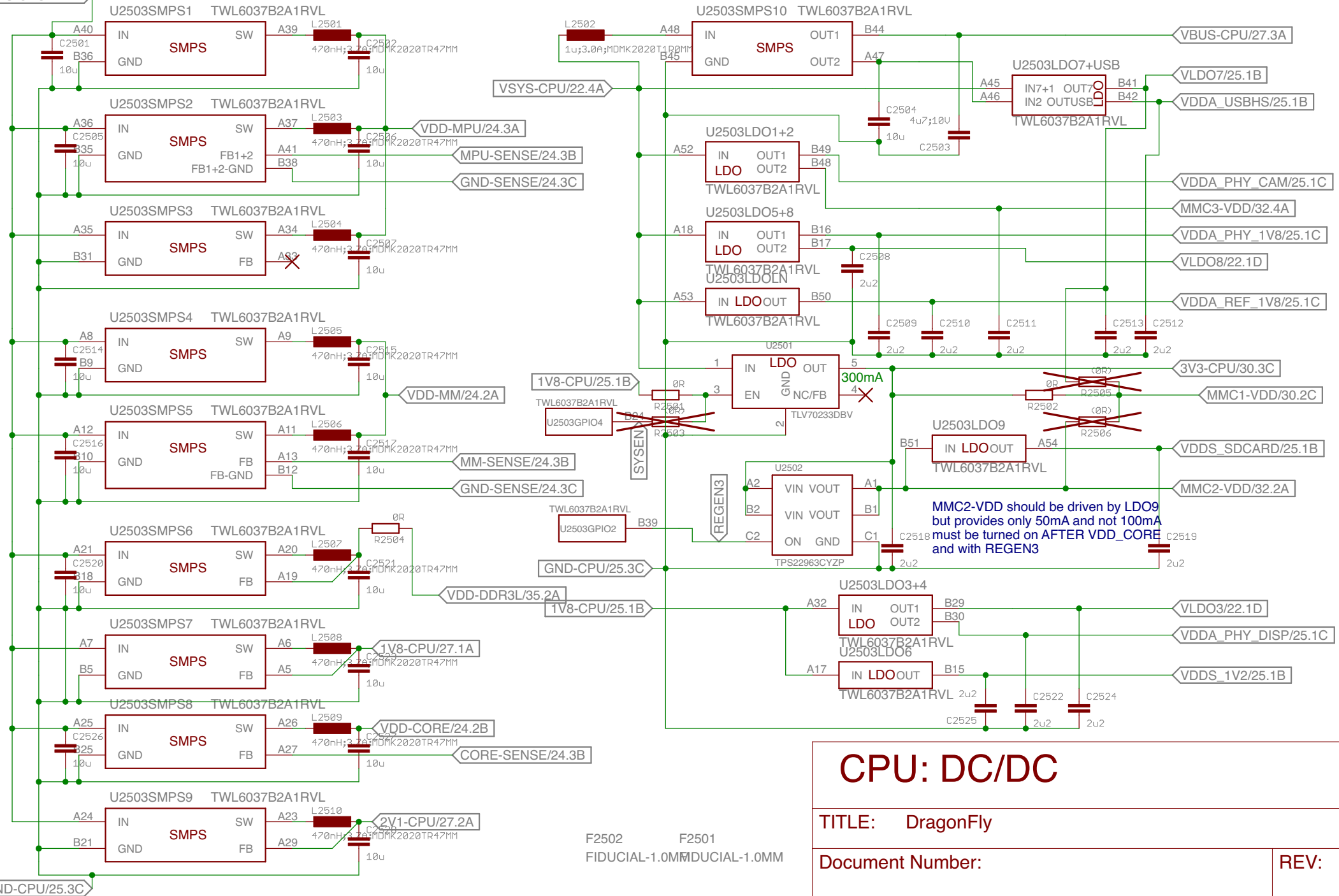
Document Number:

REV:

Date: nicht gespeichert!

Sheet: 25/51

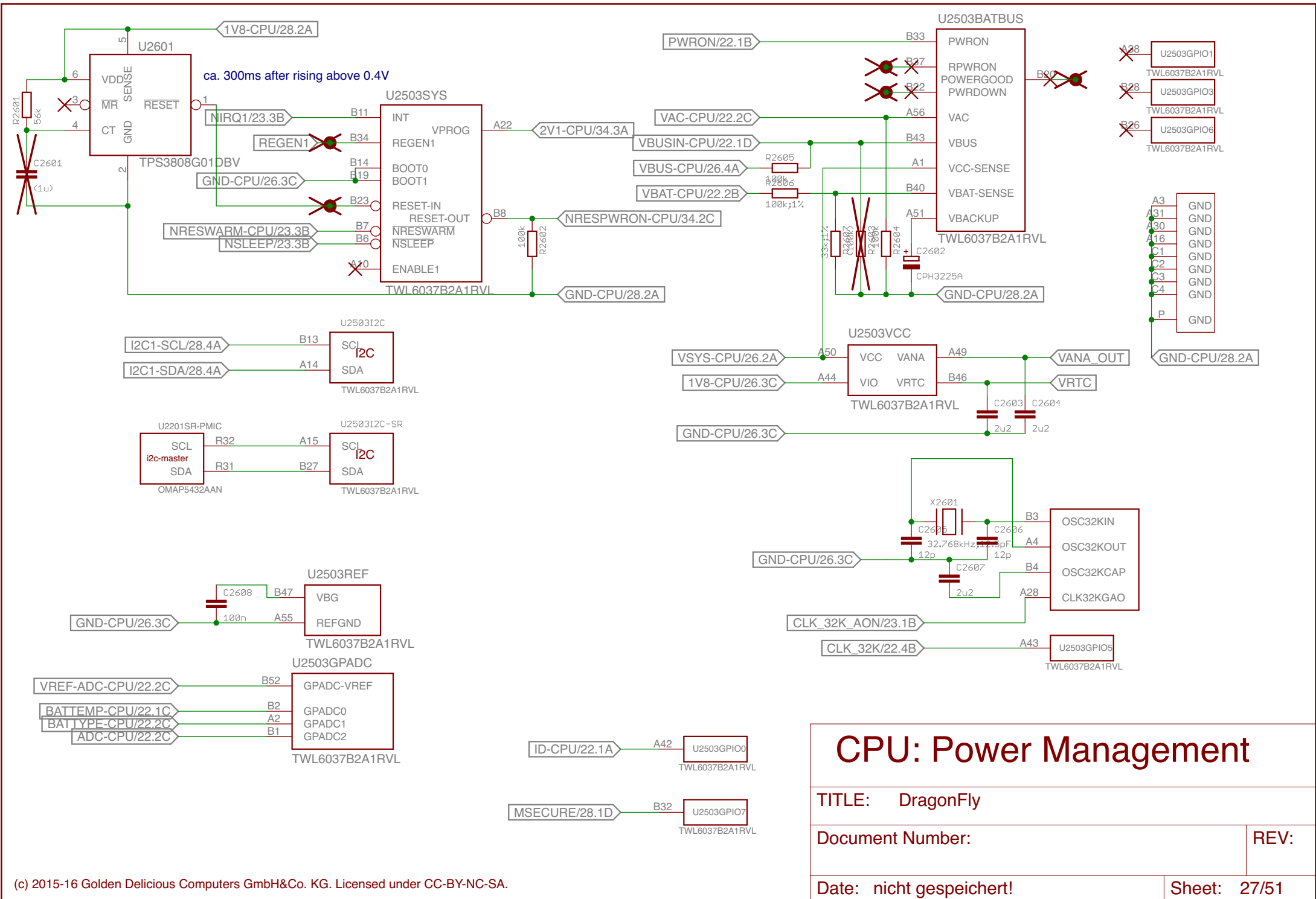
VSYS-CPU/22.4A

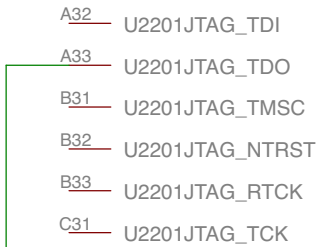
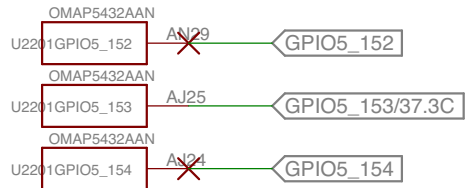
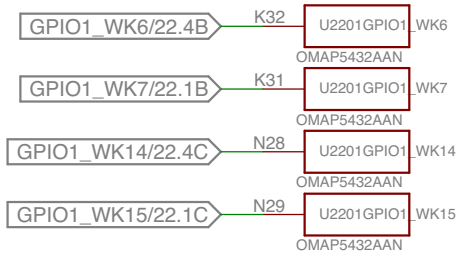


CPU: DC/DC

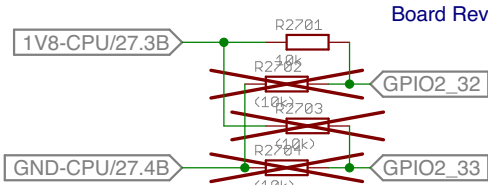
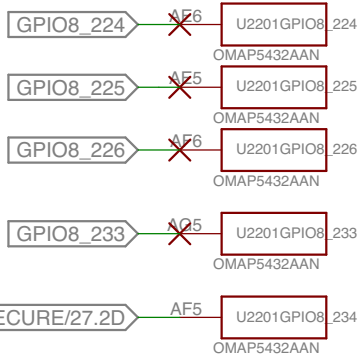
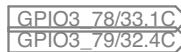
TITLE: DragonFly	
Document Number:	REV:
Date: nicht gespeichert!	Sheet: 26/51

F2502 F2501
FIDUCIAL-1.0MM FIDUCIAL-1.0MM



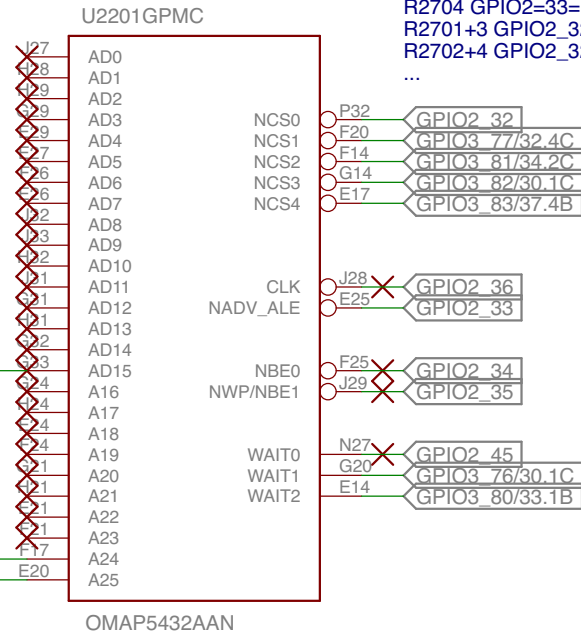


JTAG self-debugging

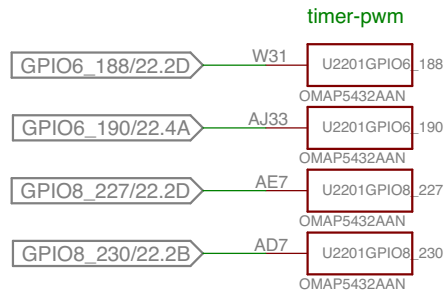


CPU can also probe for unconnected pin (through PUP/PDN)
 Change revision code only if change is noticeable but difficult to detect by software

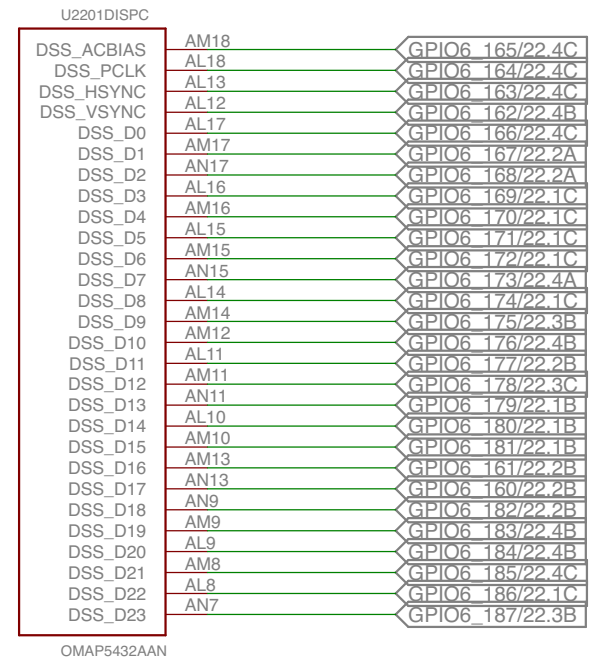
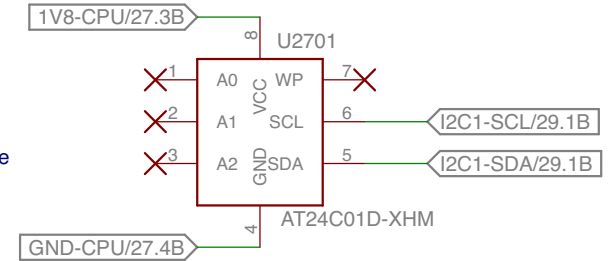
Revisions:
 no resistors: 4.9
 R2701 GPIO2_32=PU: 5.0
 R2702 GPIO2_32=PD:
 R2703 GPIO2_33=PU:
 R2704 GPIO2=33=PD:
 R2701+3 GPIO2_32+33=PU:
 R2702+4 GPIO2_32+33=PD:
 ...



OMAP5432AAN



timer-pwm



OMAP5432AAN

CPU: GPIOs

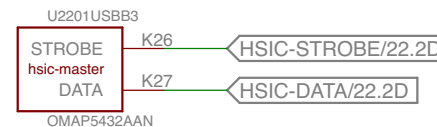
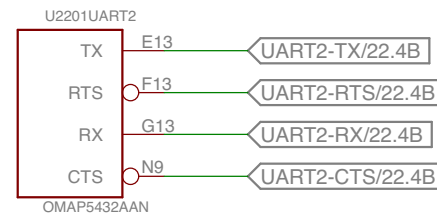
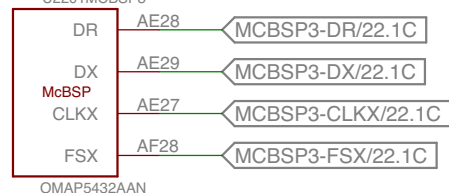
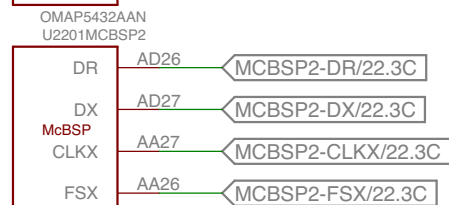
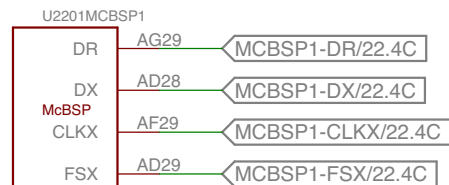
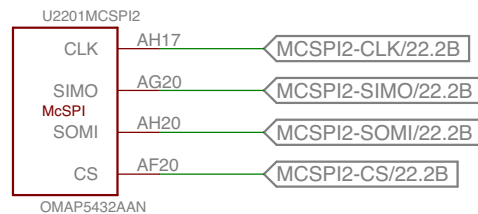
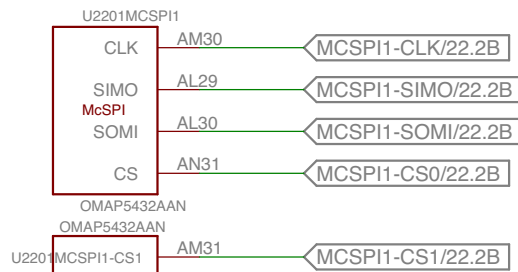
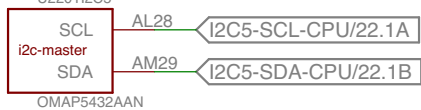
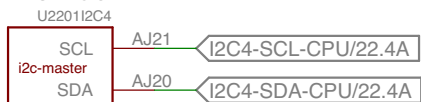
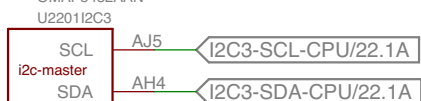
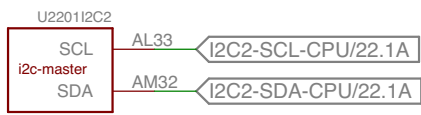
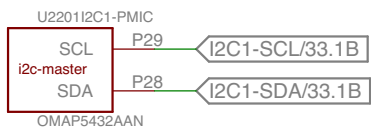
TITLE: DragonFly

Document Number:

REV:

Date: nicht gespeichert!

Sheet: 28/51



CPU: Serial ports

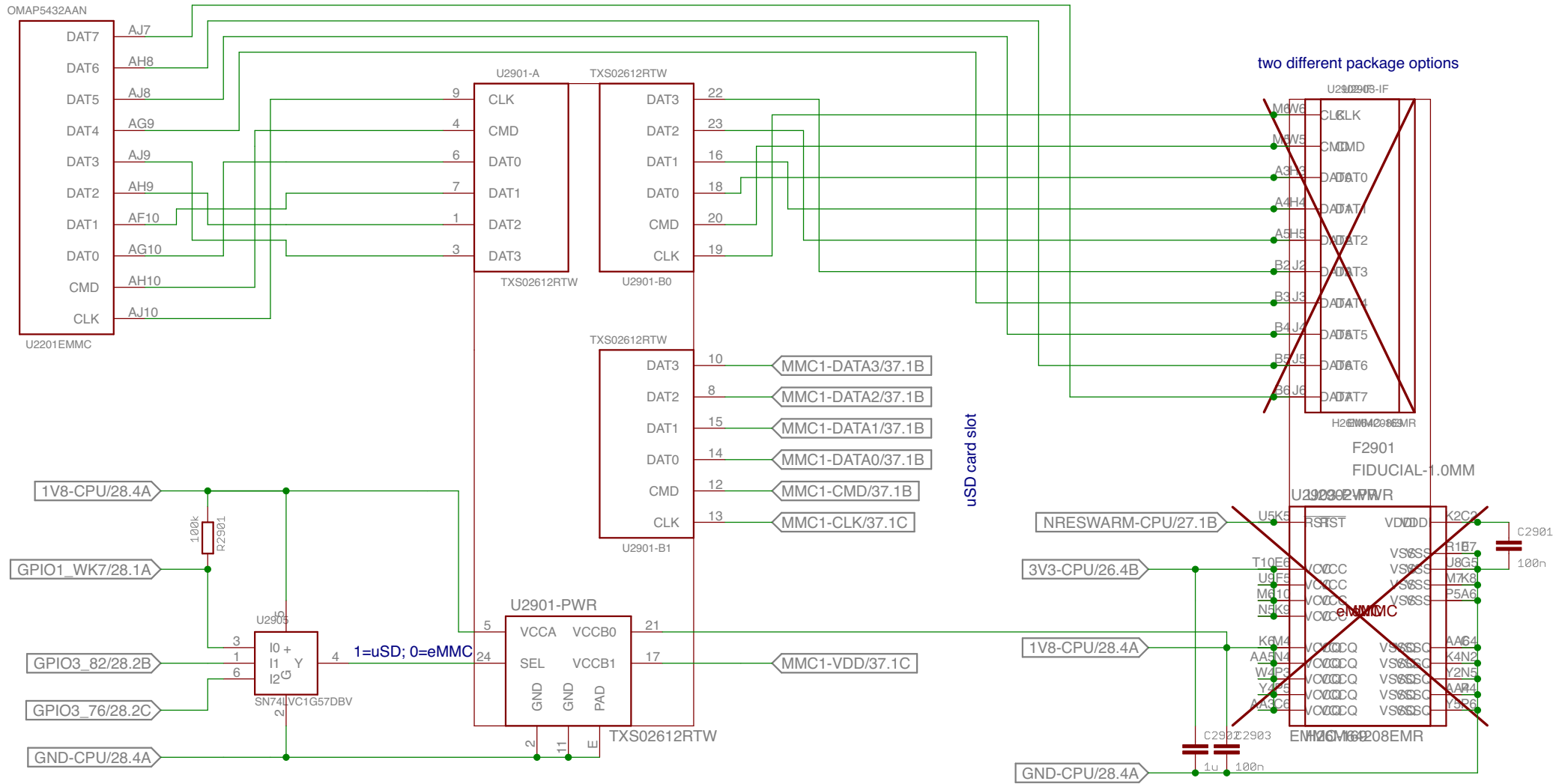
TITLE: DragonFly

Document Number:

REV:

Date: nicht gespeichert!

Sheet: 29/51



gpio3_76: choose hard (0)/soft(1) select - should be set to 1 right after boot
 gpio3_82: soft select
 gpio1_wk7: hard select (inverted)

CPU: eMMC & uSD

TITLE: DragonFly

Document Number:

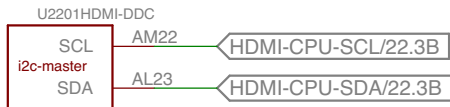
REV:

Date: nicht gespeichert!

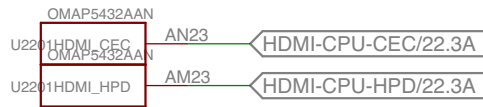
Sheet: 30/51



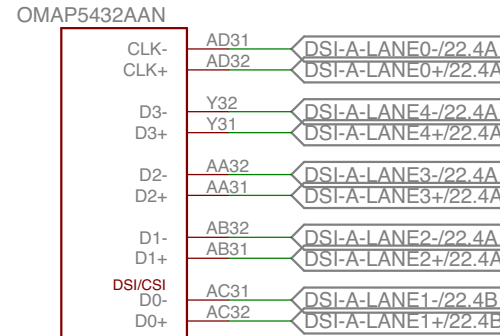
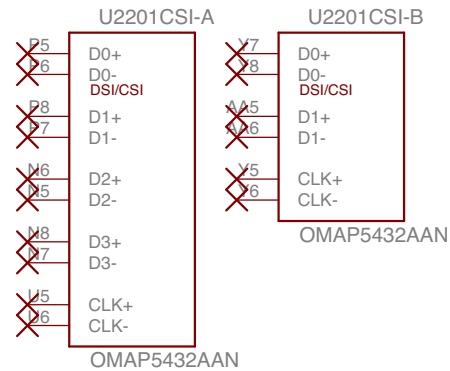
U2201HDMI



OMAP5432AAN

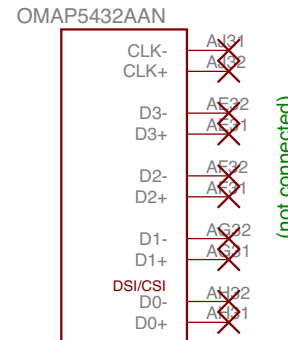


Camera (not connected)



U2201DSI-A

OMAP5432AAN



(not connected)

U2201DSI-C

OMAP5432AAN



CPU: Display&HDMI

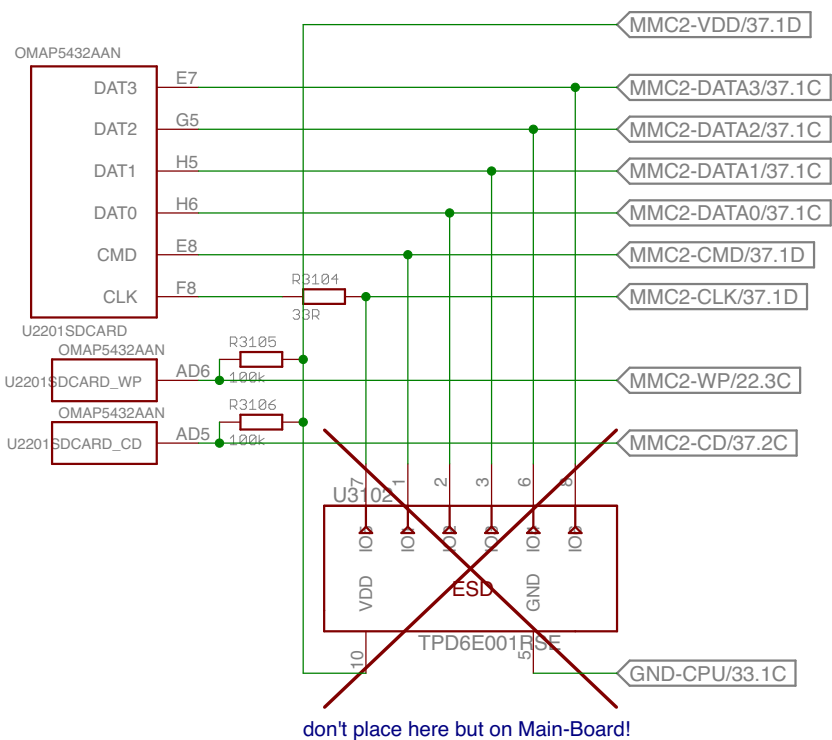
TITLE: DragonFly

Document Number:

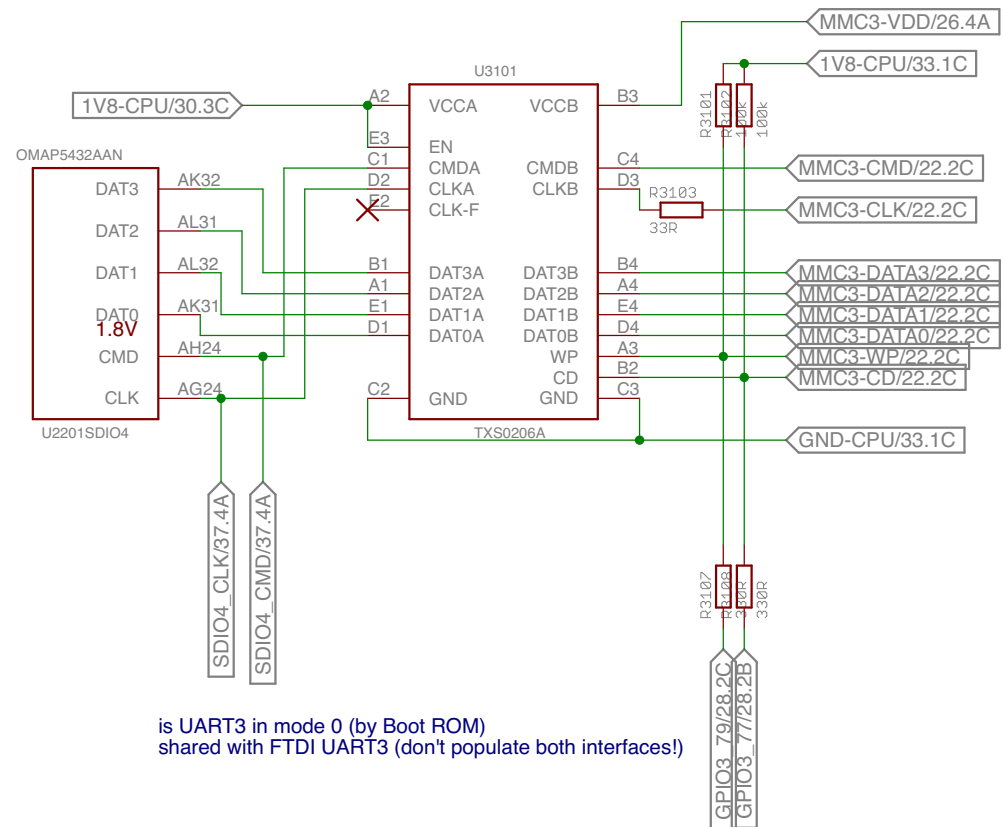
REV:

Date: nicht gespeichert!

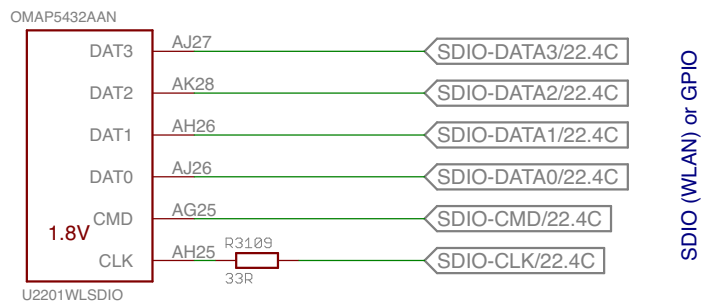
Sheet: 31/51



first SD card (bootable)



second SD card



CPU: SDIO, SD, MMC3

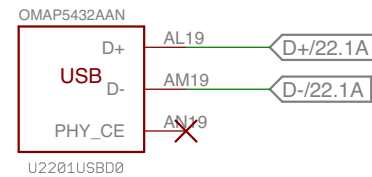
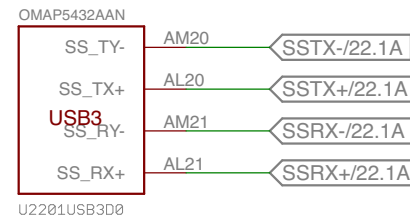
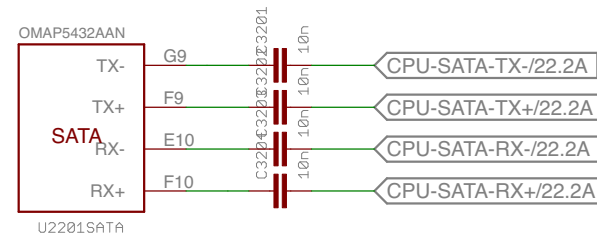
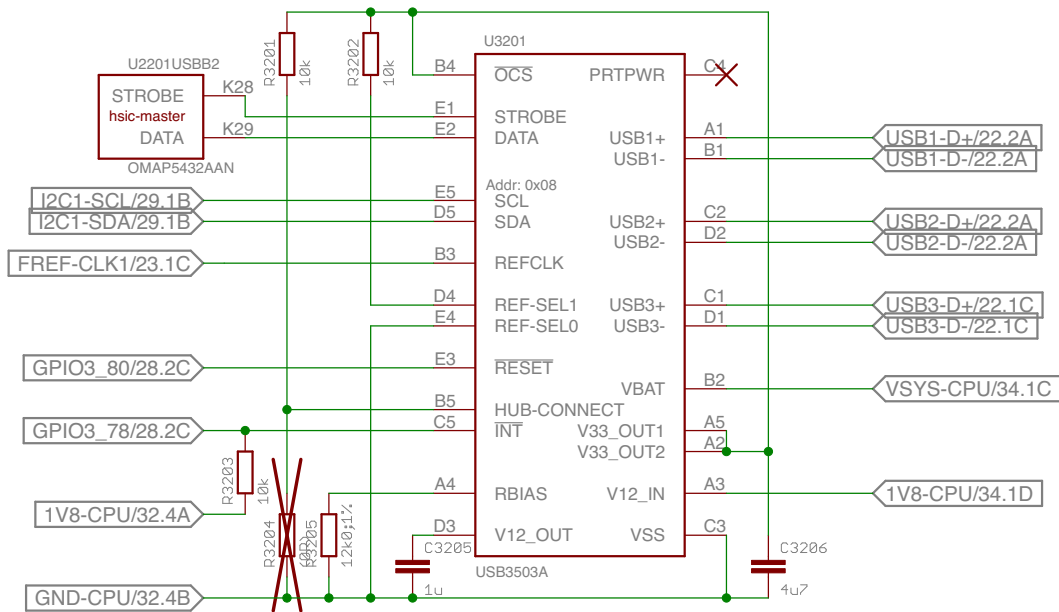
TITLE: DragonFly

Document Number:

REV:

Date: nicht gespeichert!

Sheet: 32/51



CPU: USB & SATA

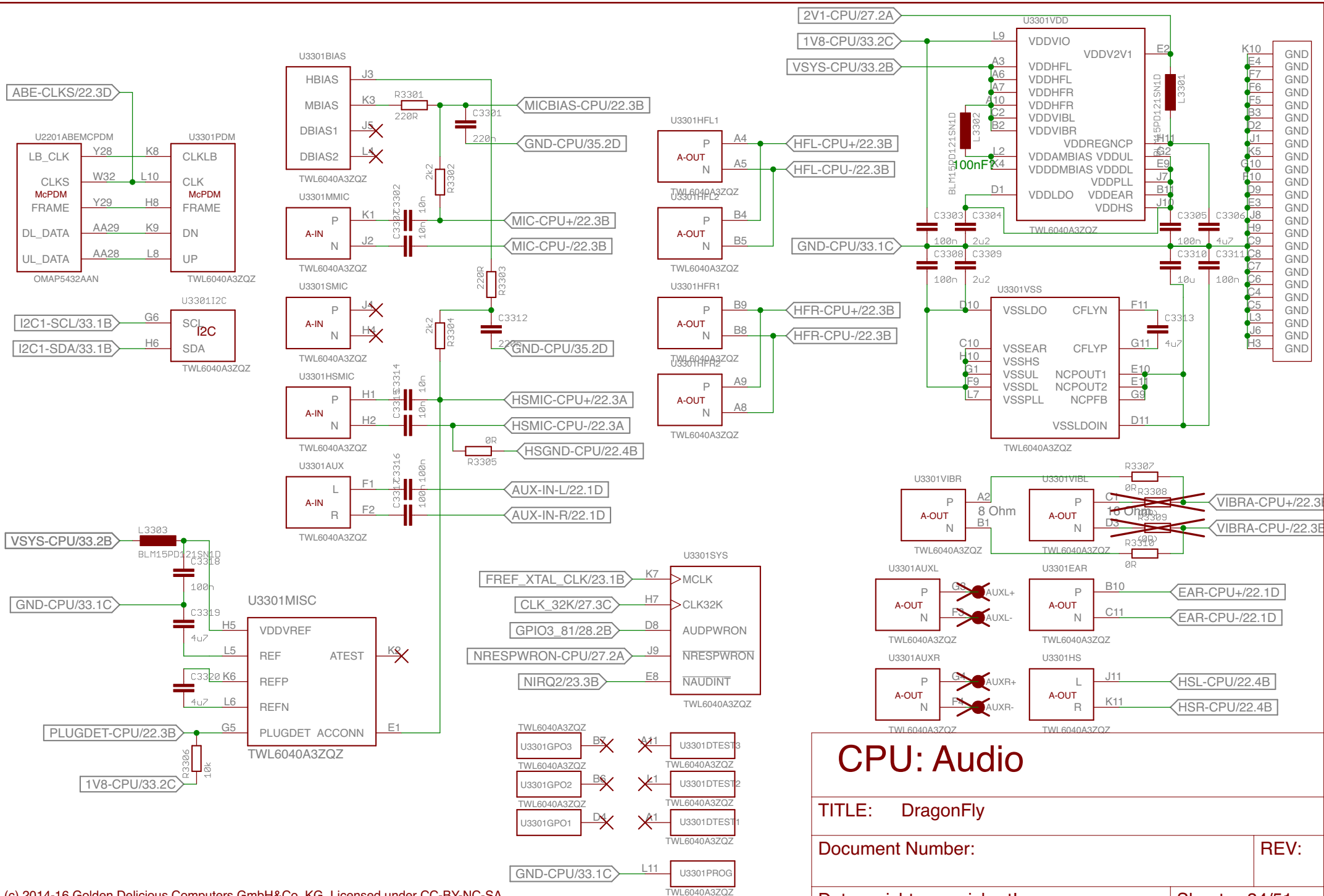
TITLE: DragonFly

Document Number:

REV:

Date: nicht gespeichert!

Sheet: 33/51

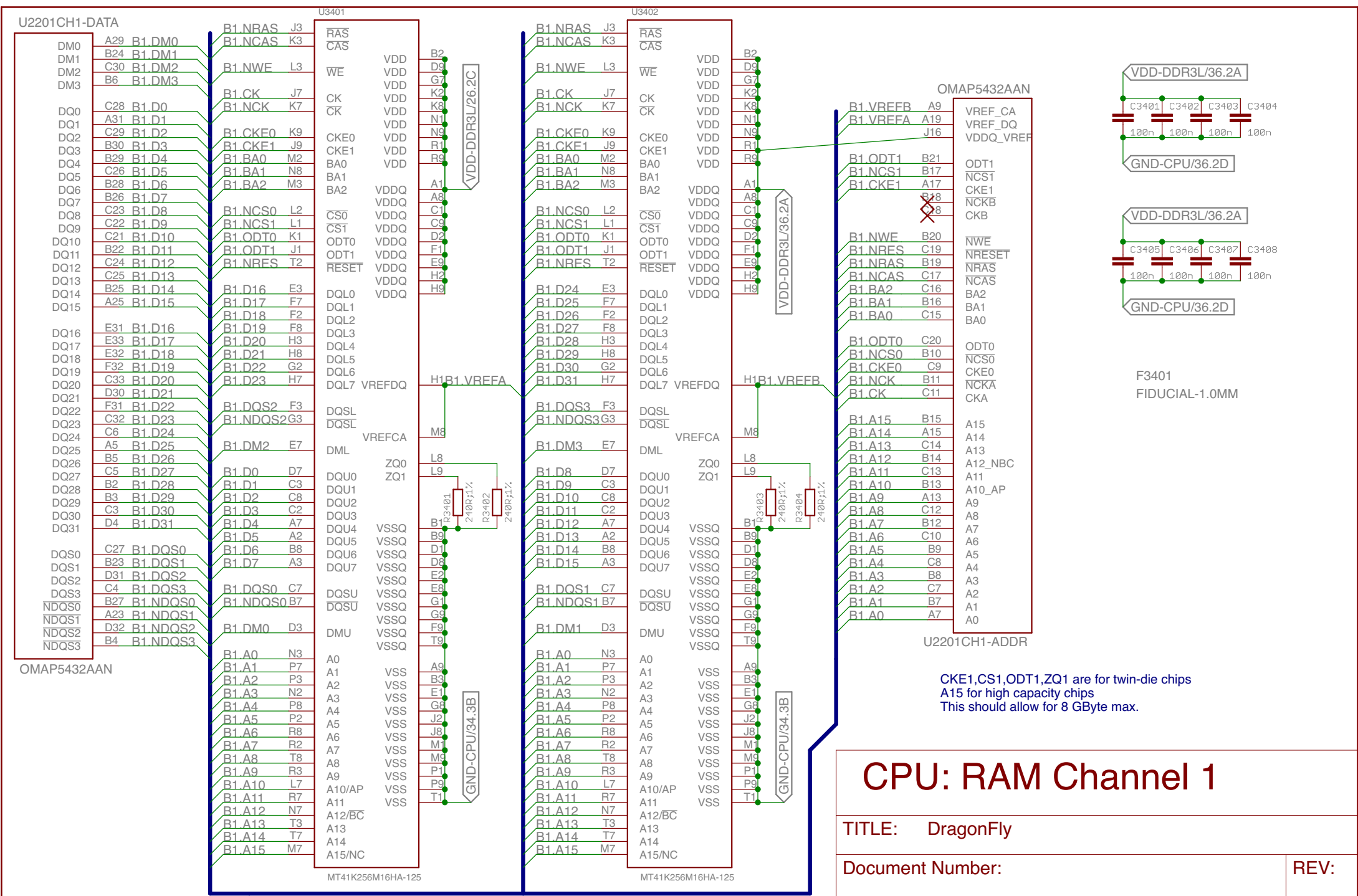


CPU: Audio

TITLE: DragonFly

Document Number: _____ **REV:** _____

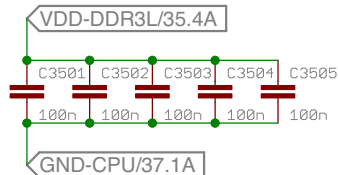
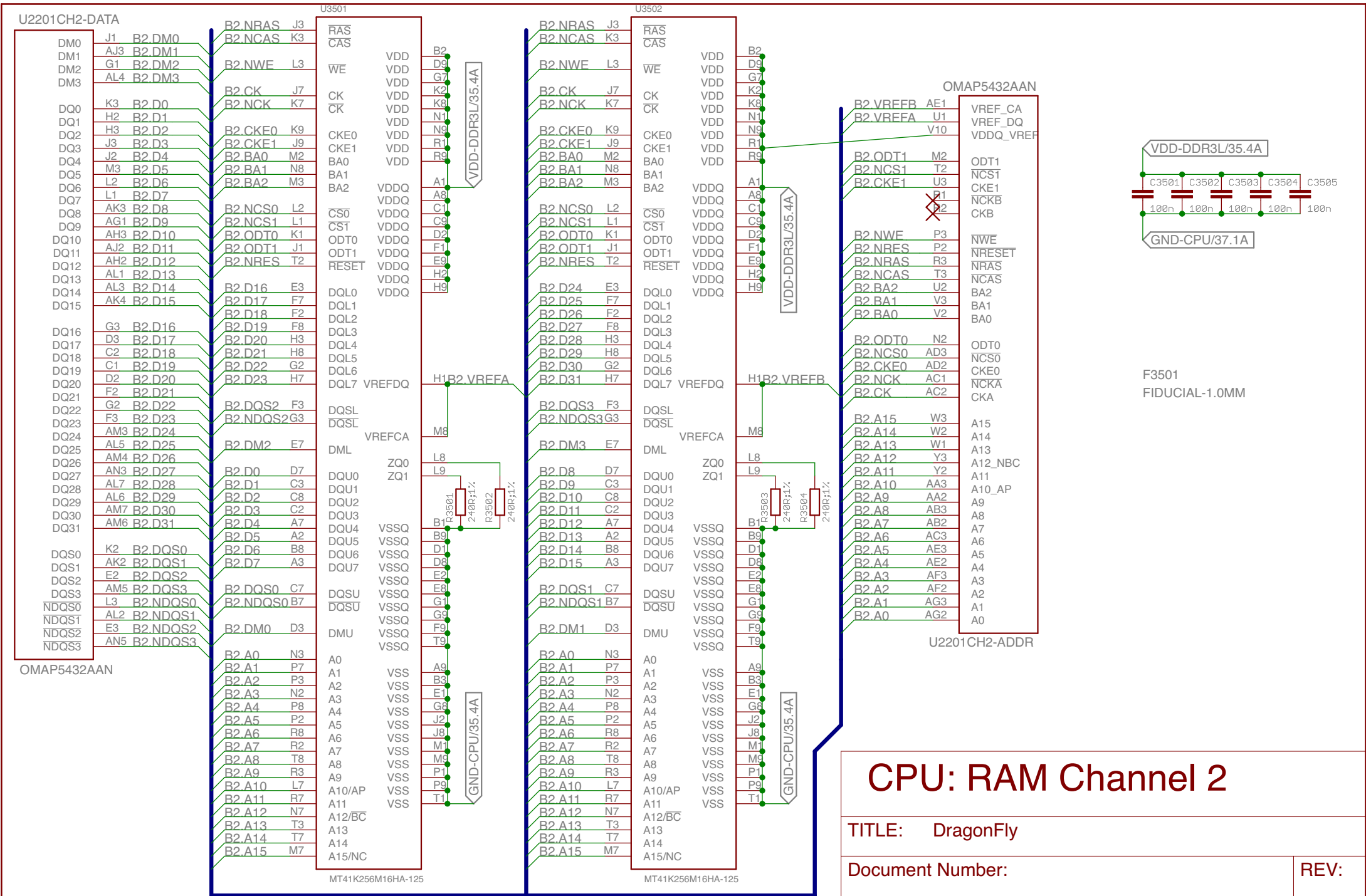
Date: nicht gespeichert! **Sheet:** 34/51



CPU: RAM Channel 1

TITLE: DragonFly	
Document Number:	REV:

Date: nicht gespeichert!	Sheet: 35/51
--------------------------	--------------



F3501 FIDUCIAL-1.0MM

CPU: RAM Channel 2

TITLE: DragonFly

Document Number:

REV:

Date: nicht gespeichert!

Sheet: 36/51